

**FITTING INSTRUCTIONS - NOTICE DE POSE - MONTAGE HANDLEIDING - MONTAGEANLEITUNG
ISTRUZIONI DI MONTAGGIO - INSTRUCCIONES DE MONTAJE**

Warranty. This product is covered by a 10 year manufacturer's warranty. Please see the P C Henderson website for terms and conditions.

Tools Required

- Posidrive screwdriver
- Spirit Level
- Hammer
- Drill + 10mm drill bit
- Tape measure
- 10 and 13mm Spanners
- Plumb line
- Hacksaw

Contents of Kit

- Steel Husky Track
- Hinge Plate
- 94 Channel
- Top Pivot
- Bottom Pivot
- Husky Hanger C/W Top Plate
- 106 Guide

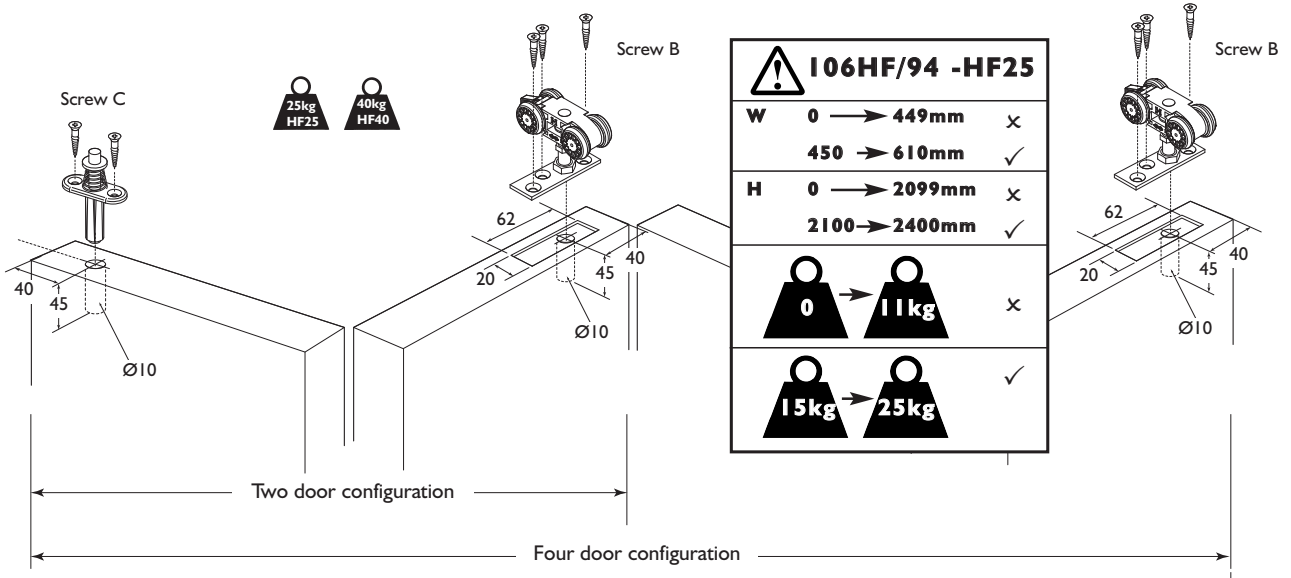
Technical diagrams showing assembly steps and dimensions for HF25 and HF40 models.

Dimensions shown in diagrams:

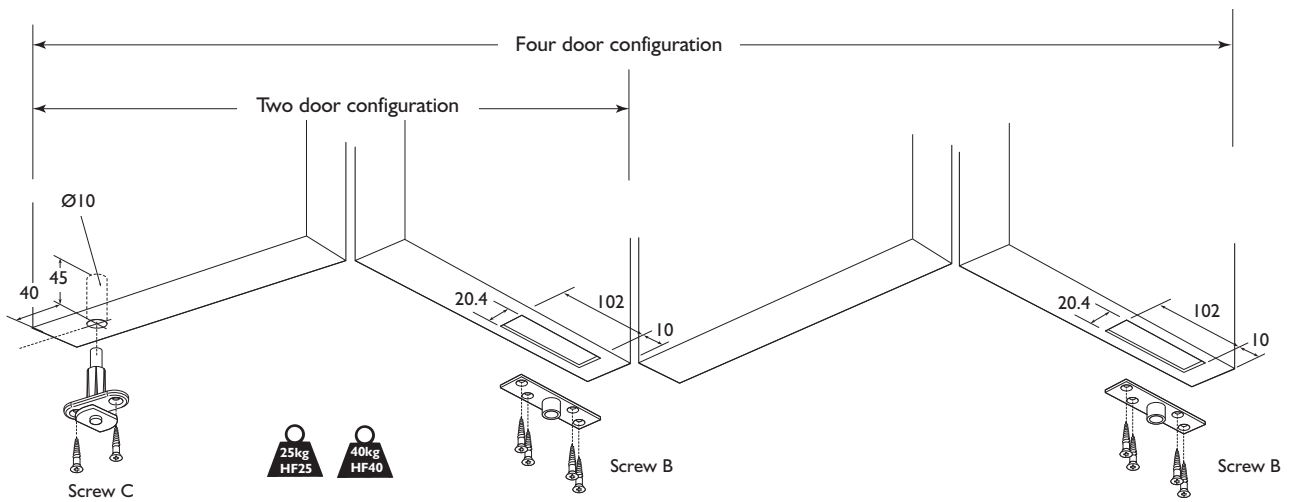
- Top pivot height: 28
- Top pivot to hanger distance: 64-71
- Hanger to top plate distance: 44-51
- Weight capacity: 25kg and 40kg
- Track thickness: T
- Bottom pivot to track distance: 20
- Bottom pivot to floor distance: 16-24
- Bottom pivot width: 21
- Track width: W
- Track offset: 6
- Track length: O

	Max Weight	W	T	O
HF25	25kg	610mm	20-44mm	2458mm
HF40	40kg	762mm	20-44mm	3066mm

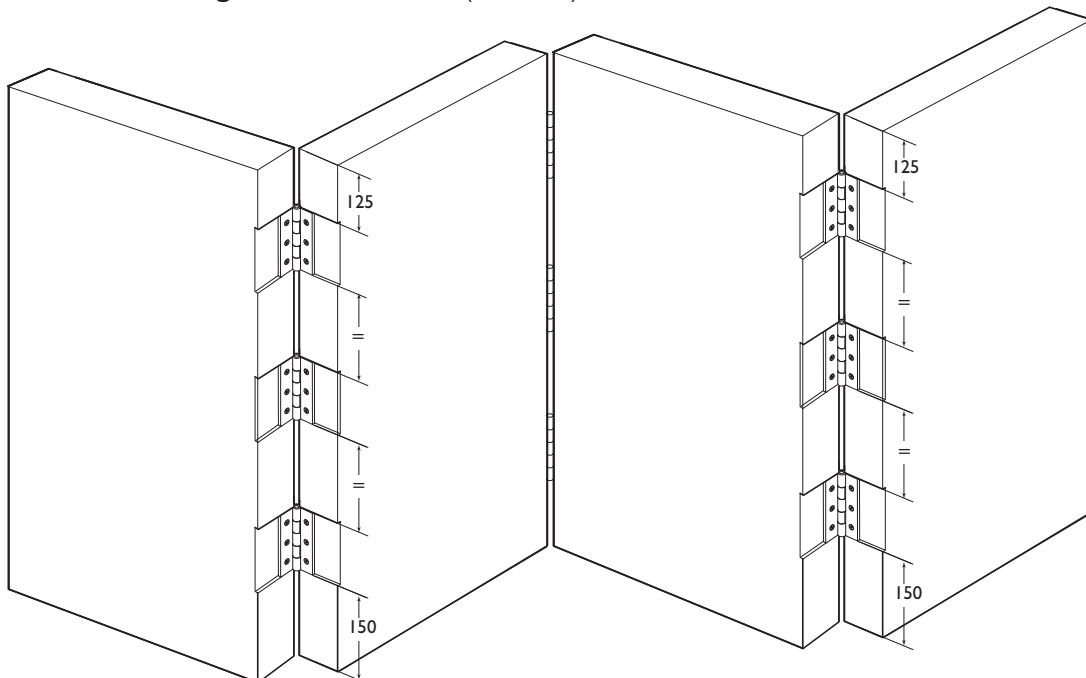
1. Position and secure pivot and hanger apron plates



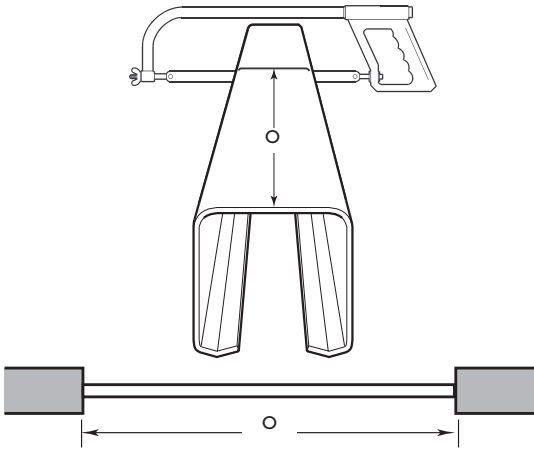
2. Position and secure pivot and guides to the bottom of the door



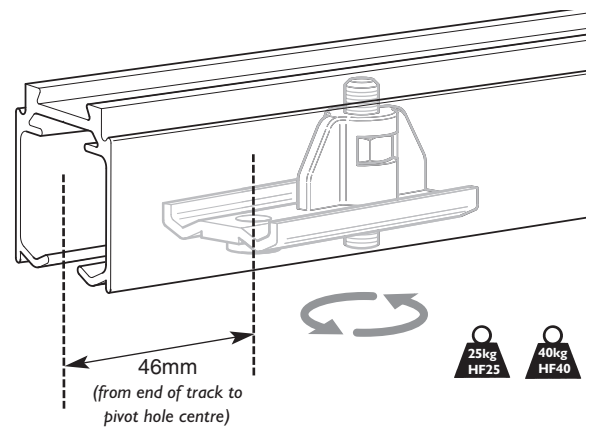
3. Position and secure hinges, assemble doors (Screws E)



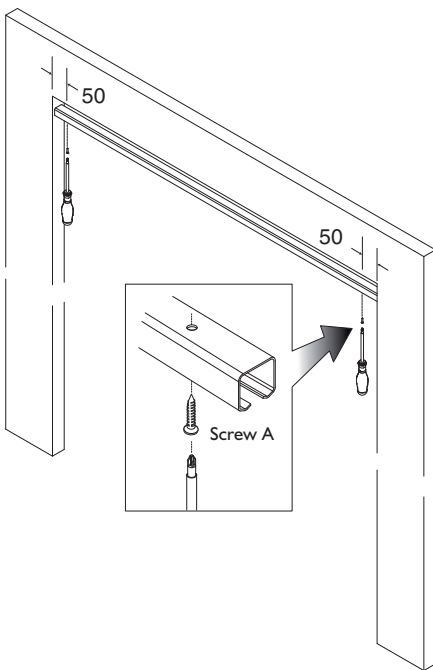
4. Cut track to length



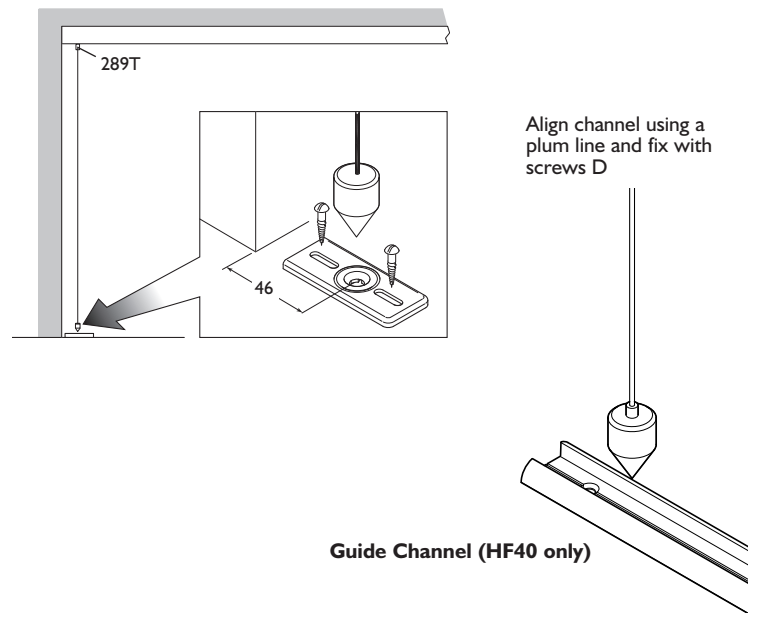
5. Position and secure top bearing plate



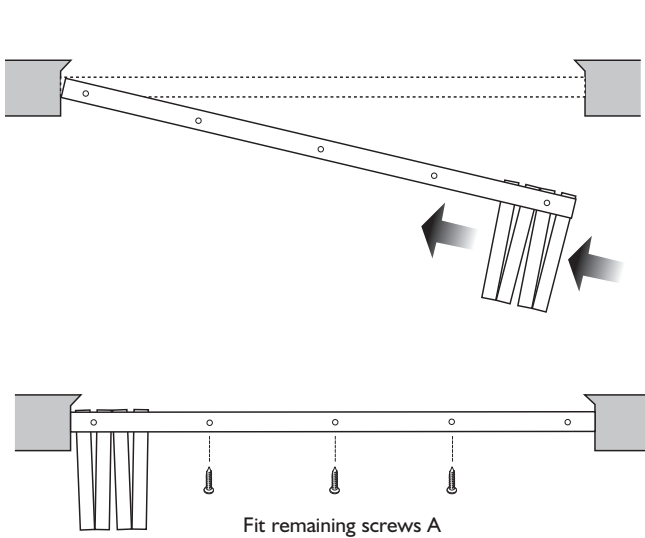
6. Affix track and surface mounted channel



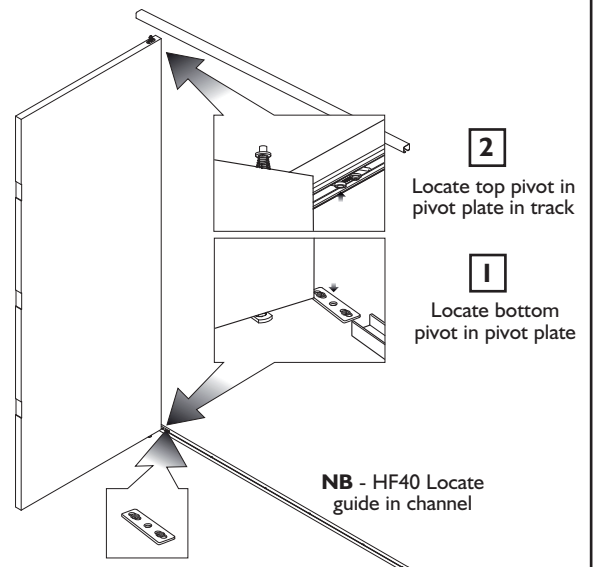
7. Locate and secure bottom pivot plate to floor.



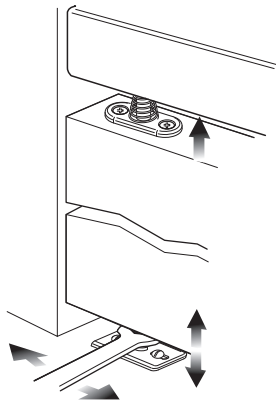
8. Slide doors into track (2 man-job)



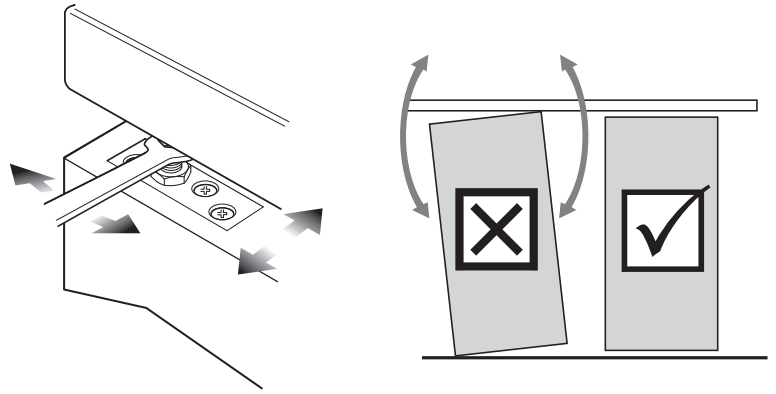
9. Locate pivot points into pivot plates in track and bottom channel



10. Adjust door height using 13mm spanner on pivot door and 10mm on hanger doors.



11. Align doors



CARE POINT - Ensure when adjusting that the hanger supports the weight of the doors along the length of the track.

12. Door configuration options

