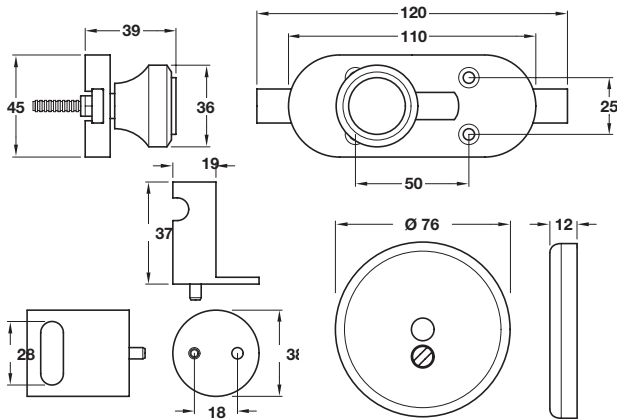


Indicator bolt set

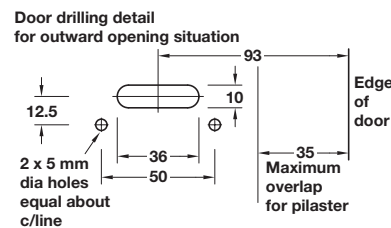
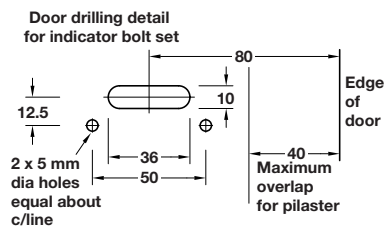


- > Robust construction incorporates external "coin release" in case of emergency
- > Includes all fixings for 17-21 mm board thickness including 2 rubber buffers
- > Positive knob handle to slide bolt
- > Aluminium
- > Order qty: 1 pc



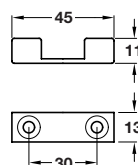
Finish	Cat. No.
Satin anodised	980.07.950
Black polyester powder coated	980.07.350

Door drilling detail



For outward opening situations order outward keep separately, shown below

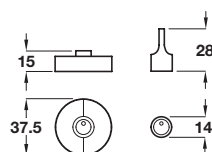
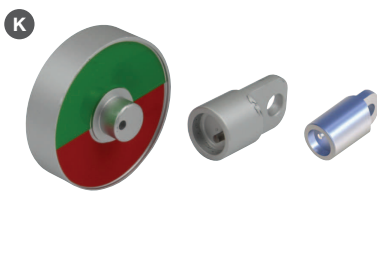
Keep, outward opening



- > Optional extra where doors open out
- > Aluminium
- > Order qty: 1 pc

Finish	Cat. No.
Satin anodised	980.07.960
Black polyester powder coated	980.07.360

No mischief key



- > Replaces exiting red/green indicator fitted to face plate of indicator bolt, item J
- > When access is required the key is fitted to the protruding spigot on the face plate and turned to release the lock
- > Satin anodised aluminium
- > Order qty: 1 pc

Item	Cat. No.
No mischief signal and key	980.07.000
Additional key	980.07.001



Most of the products you will find in this catalogue are available within 24 hours. However, to be able to offer the breadth of range in our collection, a small number of products have a longer lead time that is typically around 14 days. Please call 0800 171 2909 for an accurate delivery date when you see this symbol.

PAGE AMENDED
31.01.20/1