



## Casement Fastener Reversible

**Product Images**

---





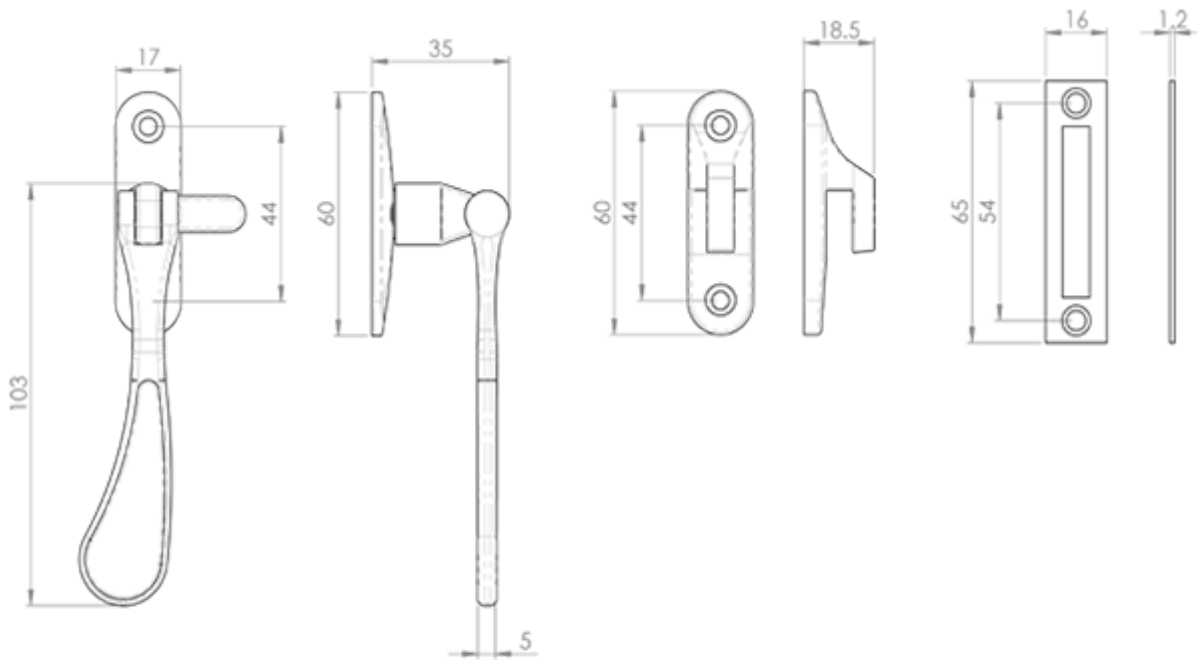
## Description

---

A plain spoon ended pivot-reversing non-locking casement fastener, one of the most commonly used fasteners for traditional timber windows. It operates with either a mortice or hook plate and is reversible. Not suitable for use on weather stripped windows. Comes with a 10 year mechanical guarantee. Available in a variety of finishes.

## Technical Details

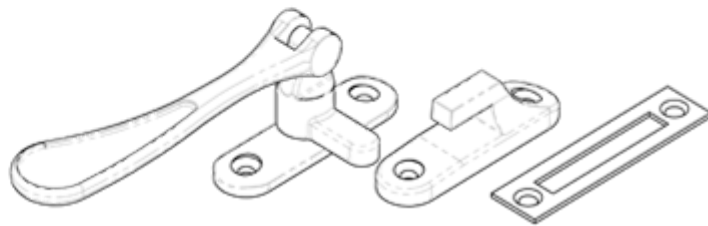
---



© CARLISLE BRASS

M73

This drawing is the property of Carlisle Brass Limited, all design rights reserved



## Specification



## Additional Information

Short Description	Casement Fastener Reversible
SKU	M73 Range
Brands	Carlisle Brass
Features	Not Suitable for Weather Stripped Windows
Technical	4,49
Line Drawings	M73.PDF

## Product Options

---

Finishes:	Polished Brass
	Polished Chrome
	Satin Chrome
	Satin Nickel
Sizes:	124mm Overall Length
	Blister Pack

