



Ashtead Lever On Lock Backplate

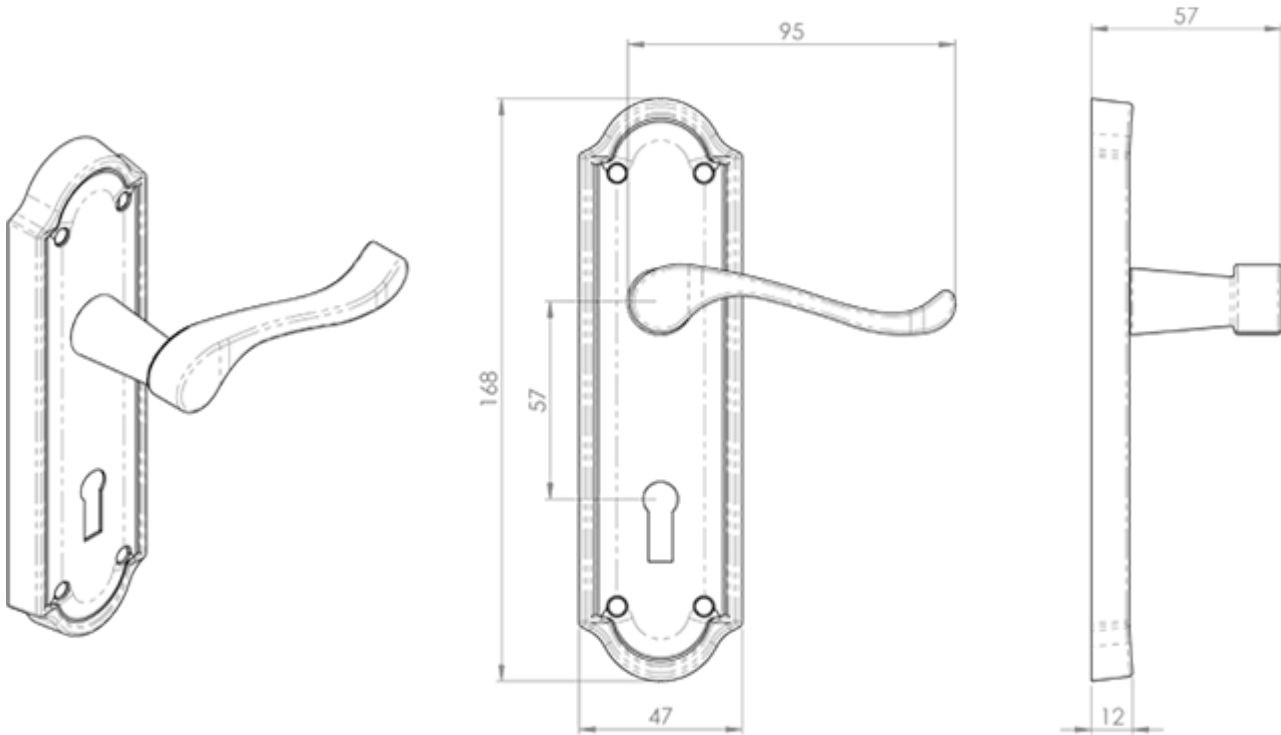
Product Images



Description

Lever on lock backplate. A Victorian style upturned handle on a shaped backplate. The back plate has an raised edging feature elevating this above the ordinary to a deluxe standard, elegant and versatile. Comes with a 10 year mechanical guarantee and is Fire door rated.

Technical Details



CARLISLE BRASS

DL17

This drawing is the property of Carlisle Brass Limited, all design rights reserved

Specification



Additional Information

SKU	DL17 Range
Brands	Carlisle Brass
Finishes	Polished Brass
Technical	4,26,49
Line Drawings	DL17.PDF

Product Options

Options:	Blister Pack
	Boxed

