

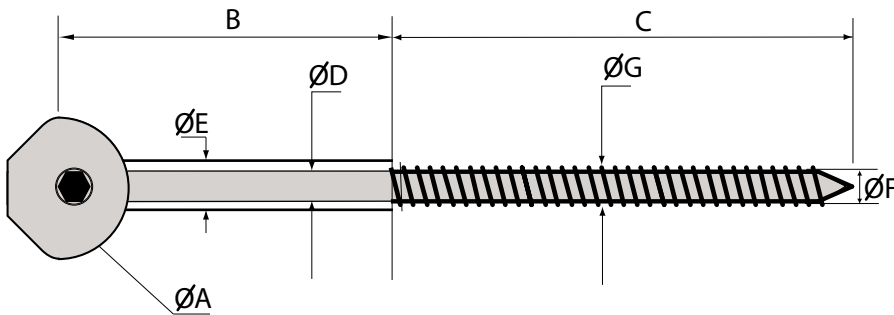
DATA SHEET



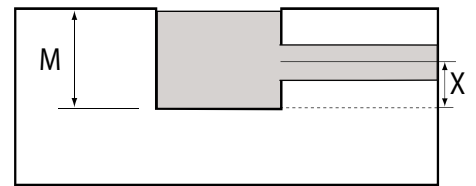
QT 14.100

278mm x 12mm Newel Post Fastener

SPECIFICATION



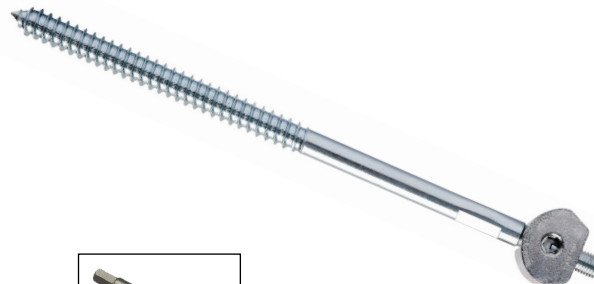
SHAFT CENTRE CALCULATION



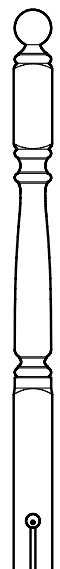
M = Minimum Bore Depth 30mm (1 3/16 inches)
 X = Shaft Centre 15mm (19/32 inches)

Measurements

	Millimetres	Inches
A	35	1 ³ / ₈
B	120	4 ²³ / ₃₂
C	143	5 ⁴¹ / ₆₄
D	11	7/ ₁₆
E	13	+/- 33/ ₆₄
F	+/- 10	13/ ₃₂
G	13.5	17/ ₃₂



6mm hex bit



Fix post to timber or concrete floor.
 Consider using more than 1 for posts larger than 90 mm sq



T. 0800 055 6001
 F. 0800 055 6002
 info@quaytechuk.com
 www.quaytechuk.com