

Sparta Patio Door Handle

MECHANICAL
GUARANTEE
10
YEARS

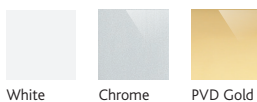
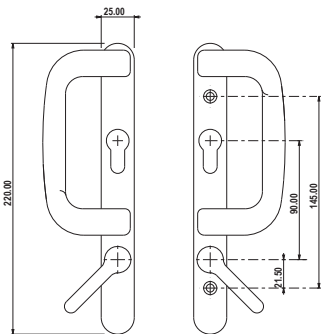
- Locking and non-locking option
- Non-handed
- Variants suitable for FUHR or XL lock configurations

The attractive design of the Sparta Patio door handle co-ordinates with other Sparta products to provide a comprehensive suite, including door handle, window handle, letter plate and door hinges.

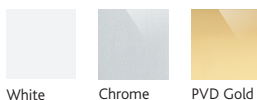
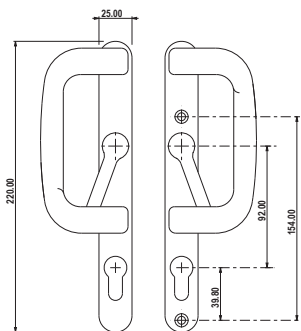
The Sparta patio handle can be used on most patio door locks, a special FUHR design is available to suit the differing cylinder and screw positions.

The handle is available as locking and non-locking to suit the application. To ease stockholding, the handles have been designed with symmetrical grip allowing them to be reversed for right or left hand usage.

FUHR configuration



XL configuration



Description	Colour	Part Code
To suit FUHR Patio Door Lock		
Sparta Patio Handle	Chrome	0775-2000-CH
Sparta Patio Handle	PVD Gold	0775-2000-GO
Sparta Patio Handle	White	0775-2000-WH
Sparta Dummy Patio Handle	Chrome	0775-2001-CH
Sparta Dummy Patio Handle	PVD Gold	0775-2001-GO
Sparta Dummy Patio Handle	White	0775-2001-WH
To suit XL Patio Door Lock		
Sparta Patio Handle	Chrome	0770-2000-CH
Sparta Patio Handle	PVD Gold	0770-2000-GO
Sparta Patio Handle	White	0770-2000-WH
Sparta Dummy Patio Handle	Chrome	0770-2001-CH
Sparta Dummy Patio Handle	PVD Gold	0770-2001-GO
Sparta Dummy Patio Handle	White	0770-2001-WH