



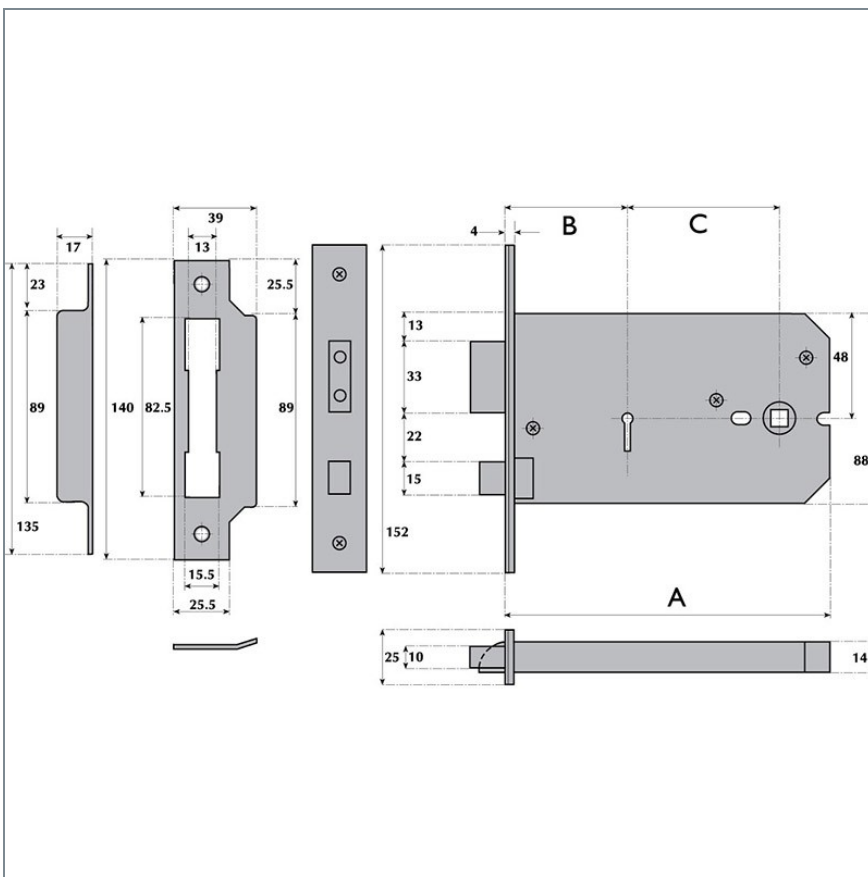
## G50125 Lever Horizontal Mortice Lock



<b>Description</b>	5 Lever horizontal mortice lock for use on internal wooden hinged doors providing a high level of security. CE Marked door lock Fire rated to BS EN 1634-1:2000 & Performance rated to BS EN 12209. Latchbolt operated by knob from either side Deadbolt operated by key from either side. Supplied with 2 keys, striker plate and fixing screws. Finishes stainless steel (SS) or satin brass (SB). Other finishes available. 200 standard differs.
<b>Operation</b>	Latchbolt operated by knob from either side Deadbolt operated by key from either side
<b>Case</b>	Pierced to accept 38mm centre horizontally opposed bolt through fixing furniture
<b>Striker</b>	Type B with dust box DB1

## Plate

<b>Latchbolt</b>	Brass, reversible. Projection 12mm
<b>Deadbolt</b>	Brass, with two hardened steel rollers. Throw 16mm
<b>Follower</b>	Brass, to suit 8mm square spindle Two-way action
<b>Differs</b>	200 standard differs numbered 001-200
<b>Rebate Units To Suit</b>	G3057-13mm G3058-19mm G3059-25mm
<b>A Lock Case</b>	151mm
<b>B Backset</b>	57mm
<b>C Centres</b>	70mm



Guardian Lock & Engineering Co Ltd. Imperial Works, Wednesfield Road, Willenhall, West Midlands, WV13 1AL, United Kingdom.

+44(0)1902 635 964 | sales@imperiallocks.co.uk