



Madrid Lever on Lock Backplate

Product Images

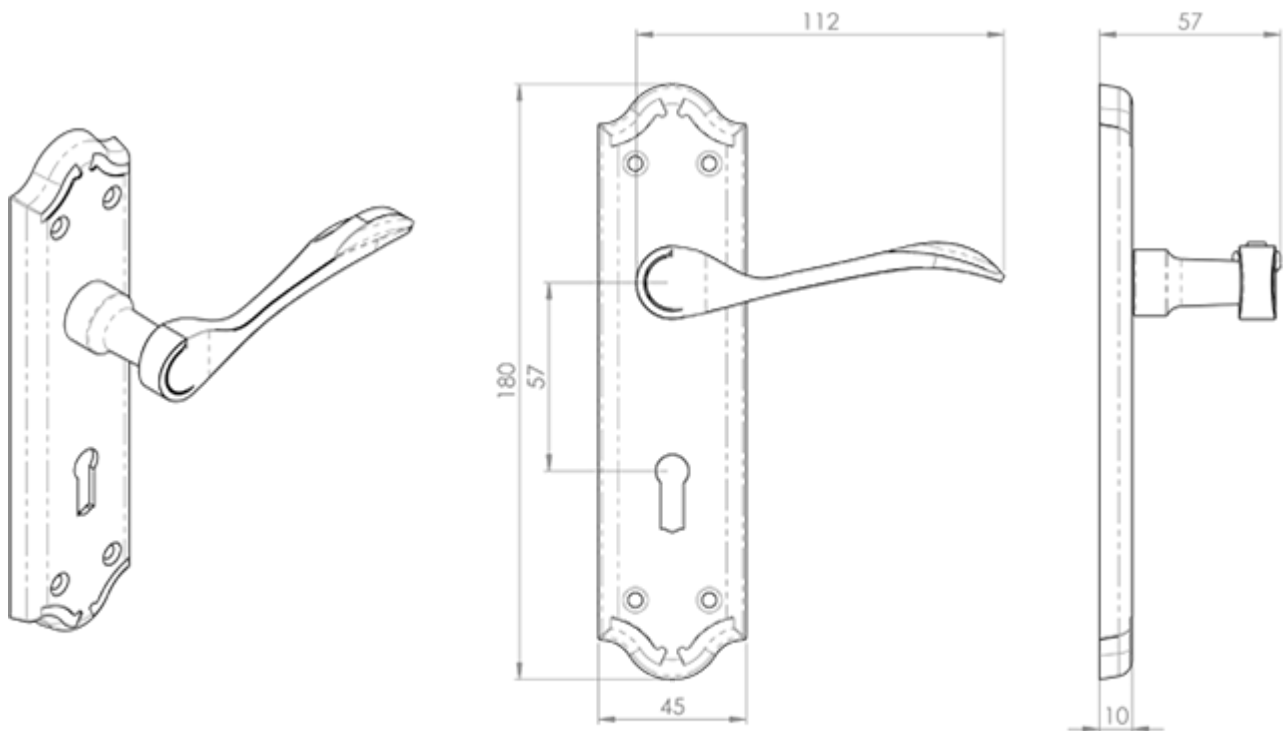


Description

Lever on lock backplate. Classically styled curved lever on a shaped backplate, with detailing to both lever and backplate. Suitable for a more traditional

doors. Comes with a 10 year mechanical guarantee and is Fire door rated.

Technical Details



CARLISLE BRASS

DL190

This drawing is the property of Carlisle Brass Limited, all design rights reserved

Specification



Additional Information

Short Description	Madrid Lever on Lock Backplate
SKU	DL190
Brands	Carlisle Brass
Finishes	Polished Brass
Options	Boxed
Sizes	180mm x 45mm Backplate
Technical	4,25,49
Line Drawings	DL190.PDF
Unit of Sale	Pair

