



Lytham Lever On Latch Backplate

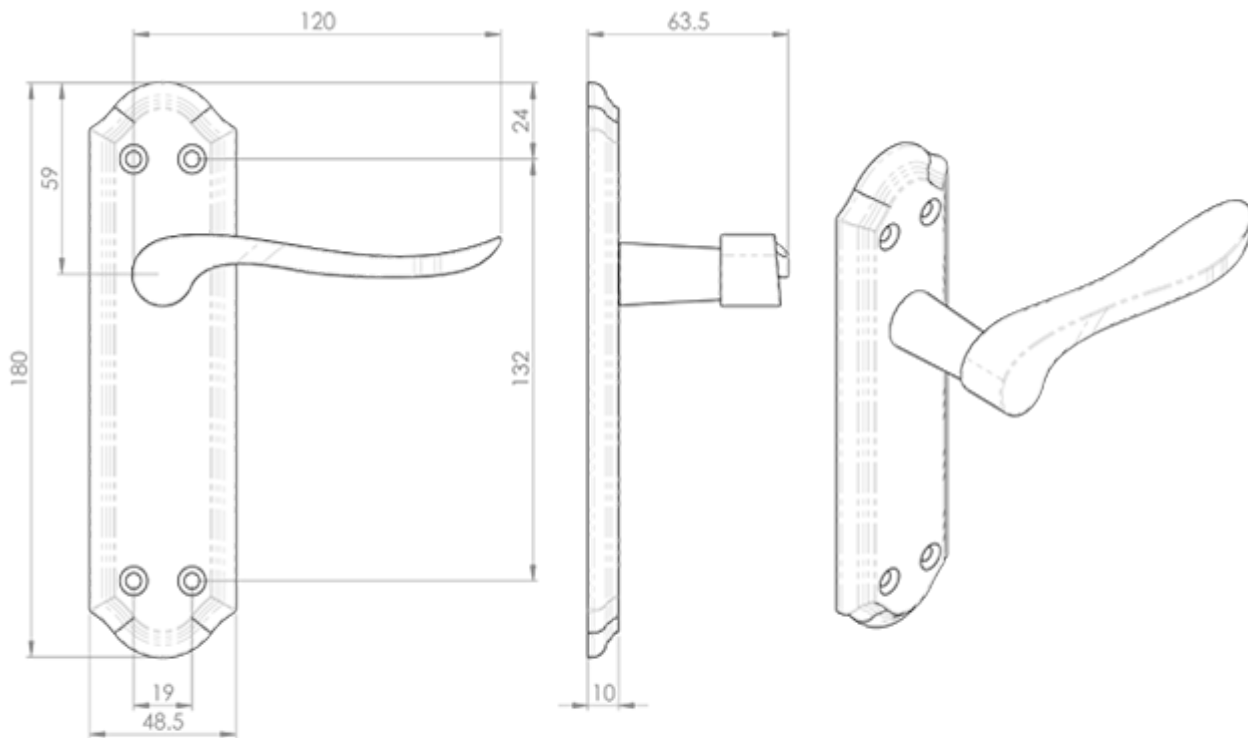
Product Images



Description

Lever on latch backplate. A gently undulating curved handle on a sculpted edge shaped backplate. The lever is slightly longer than normal allowing easy and comfortable operation. The shaped backplate has a unique, stepped design which nicely compliments the lever style. Comes with a 10 year mechanical guarantee and is Fire door rated.

Technical Details



© CARLISLE BRASS

DL451

This drawing is the property of Carlisle Brass Limited, all design rights reserved

Specification



Additional Information

SKU	DL451FB Range
Brands	Carlisle Brass
Finishes	Florentine Bronze
Technical	4,25,49
Line Drawings	DL451.PDF

Product Options

Options:	Blister Pack
	Boxed

