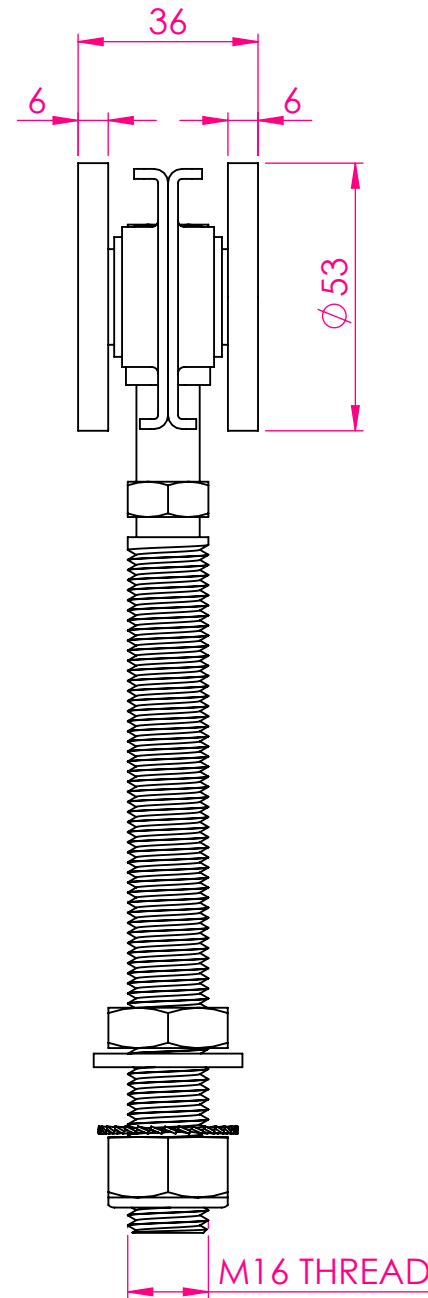
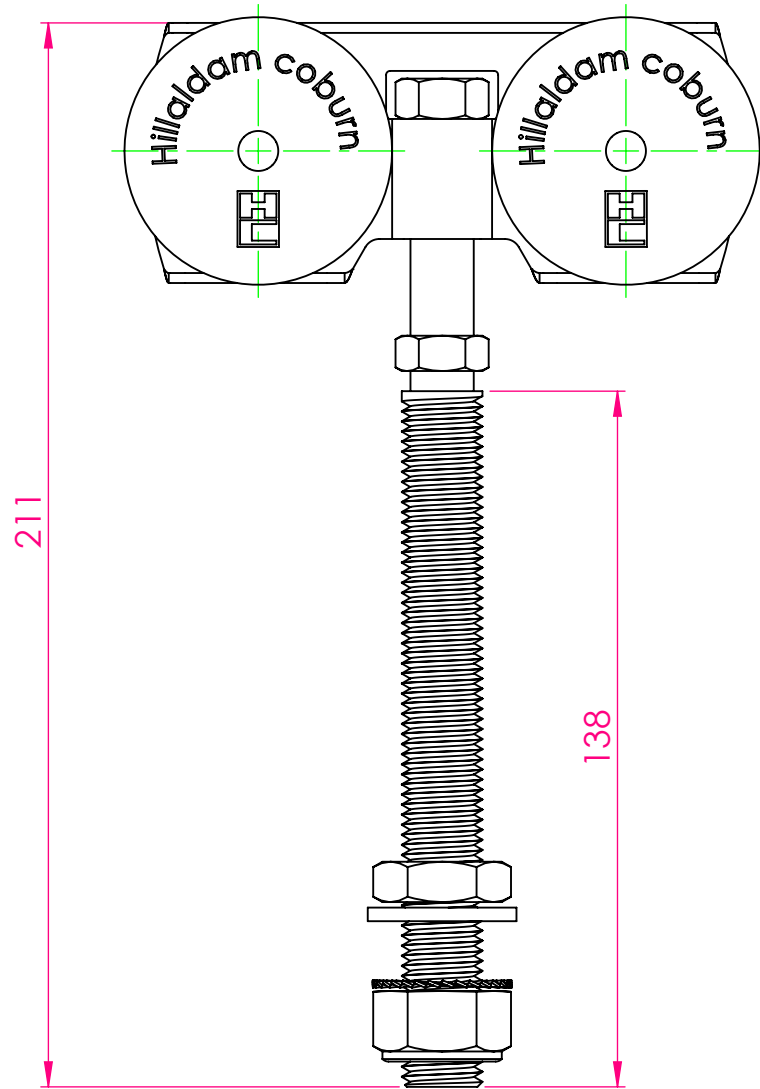


# 3-207-10 FOUR WHEEL METAL DOOR HANGER WITH EXTENDED PENDANT BOLT



**MATERIAL:** ALL STEEL

BALL BEARINGS PERMANENTLY LUBRICATED.