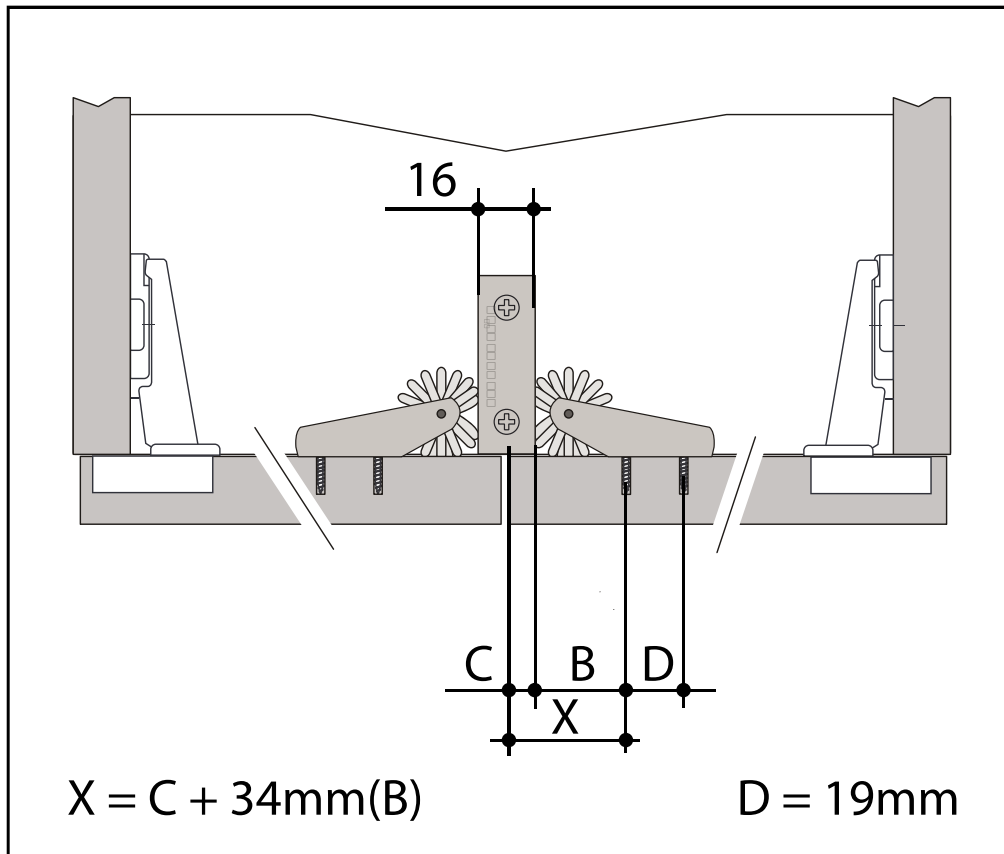


DATA SHEET

QT 20.200 DAISY CATCH INLINE



Daisy Catch Inline can be used against the Easy Cleat surface
or directly against an end panel

