



## 2 Rollers. Latch Only



70mm centres

ORDER CODE	BACKSET	FACEPLATE	SPINDLE
A0279122	28mm	Flat 16mm Square Ends	Single 7mm
A0279222	35mm	Flat 16mm Square Ends	Single 7mm

Old style GU Ferco latch only, 2 roller locks which are easily identifiable by their 70mm centres.

### SPECIFICATION:

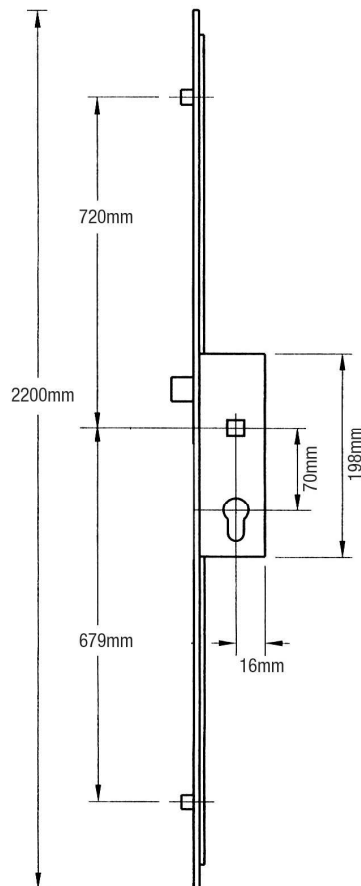
- ✓ **Case height:** 198mm
- ✓ **Case Depth:** Backset + 16mm
- ✓ **Centres:** 70mm
- ✓ **Distance between rollers:** 1399mm
- ✓ **Operation:** Lift lever
- ✓ **Latch reversal:**

Depending on date of manufacture either...

(1) Push the latch in to reveal a screw in side of case. Undo screw to remove the latch, reverse, reinsert and replace screw

or

(2) Insert small flat bladed screwdriver in the small slot on side of case marked R/L. Push upwards to release latch, reverse and reinsert.



### ASSOCIATED PRODUCTS

Order Code	Colour	Lever/Lever
HOP70W	White	
HOP70S	Silver	
HOP70G	Gold	
HOP70BL	Black	

UPVC Keeps		
Order Code	Description	Qty
E11639	Latch keep	1
V-RMSTRIKE	Pair roller keeps	1

SHOOTBOLTS

Incompatible