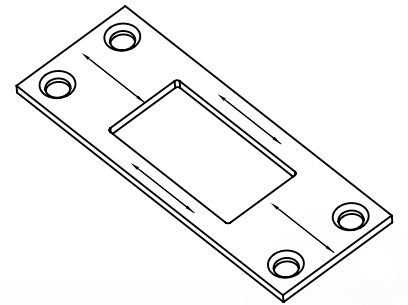
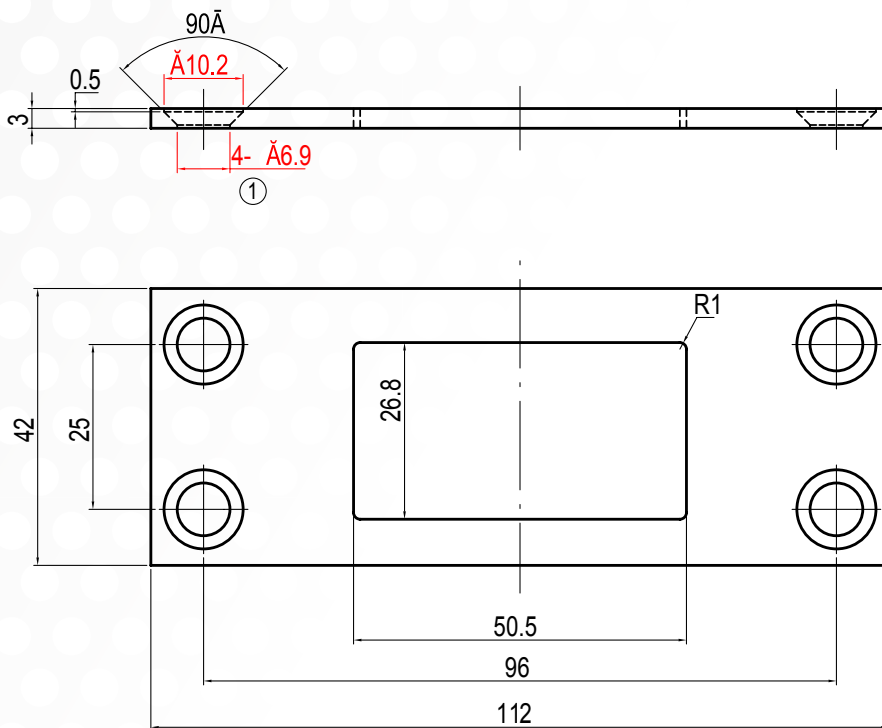


# TECHNICAL SPECIFICATION



**VSER01**



CODE	FINISH
VSER01	Satin stainless
SPECIFICATION	

- Dimensions : 112 x 42 x 3mm
- Grade 304 stainless steel
- Designed to allow the door to open outwards in the case of an emergency
- Use with VSPS01 – Square pivot hinge set

CODE	DESCRIPTION	FINISH	ADDITIONAL INFO.
VSER01	Pivot Emergency Release Door Stop	SS	112 x 42 x 3mm
	<p><b>For more information please contact us today:</b>                      Zoo Hardware Ltd, Unit B, Dukes Drive,                      Kingmoor Park North, Carlisle, Cumbria CA6 4SH</p> <p><b>Call: 01228 672900</b>  <b>Fax: 01228 672928</b>  <b>Email: sales@vierdesign.co.uk</b>  <b>Web: www.vierdesign.co.uk</b></p>	<p>URS is a member of Registrar of Standards (Holdings) Ltd.</p>	