



Andros Lever on Lock Backplate

Product Images

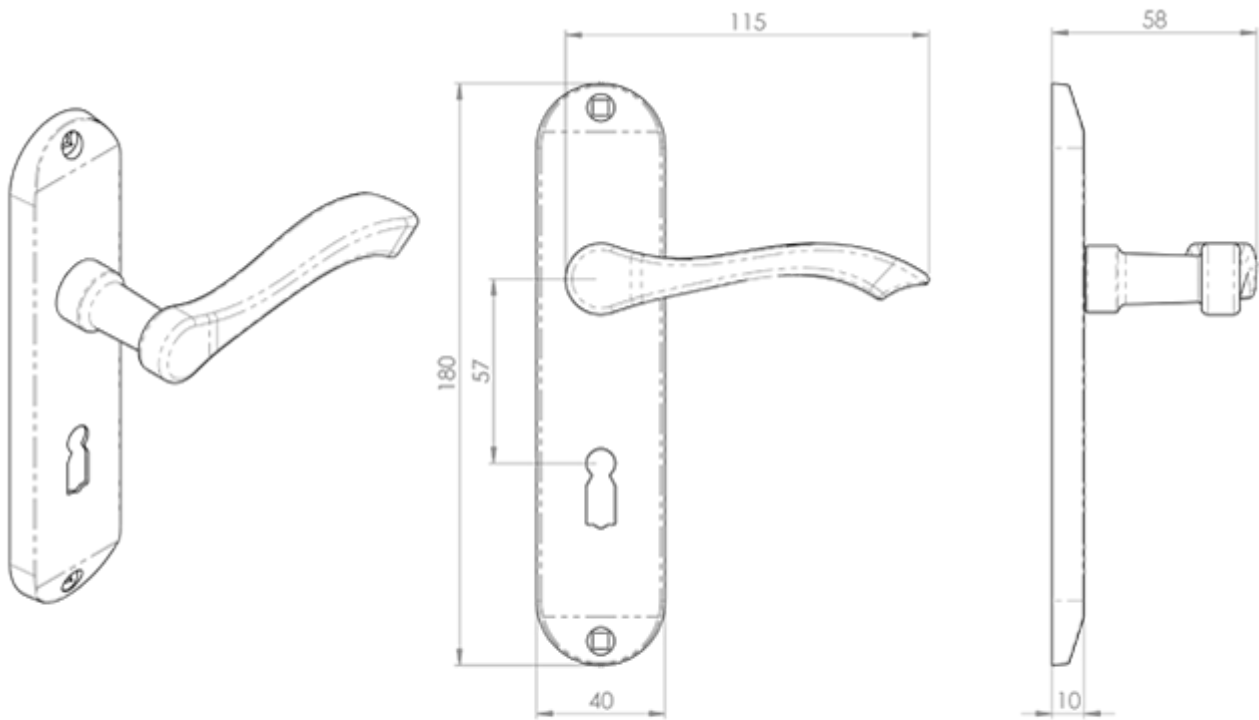


Description

Lever on lock backplate. A solid curved sweeping lever on an elegant rounded backplate with a chamfered section at the top and bottom. The smooth and solid feel oozes quality making this a deluxe handle of choice. The other feature is the single hole top and bottom, which accepts the back-to-back bolt through fixings giving a discreet and neat finish. Comes with a 10 year mechanical guarantee and is Fire door rated.

[Click here for care instructions](#)

Technical Details



CARLISLE BRASS

DL180

This drawing is the property of Carlisle Brass Limited, all design rights reserved

Specification



Additional Information

Short Description	Andros Lever on Lock Backplate
SKU	DL180SC
Brands	Carlisle Brass
Finishes	Satin Chrome
Options	Lock Profile
Sizes	180mm x 40mm Backplate
Technical	4,25,49
Line Drawings	DL180.PDF
Unit of Sale	Pair

