



Lytham Lever on Lock Backplate

Product Images

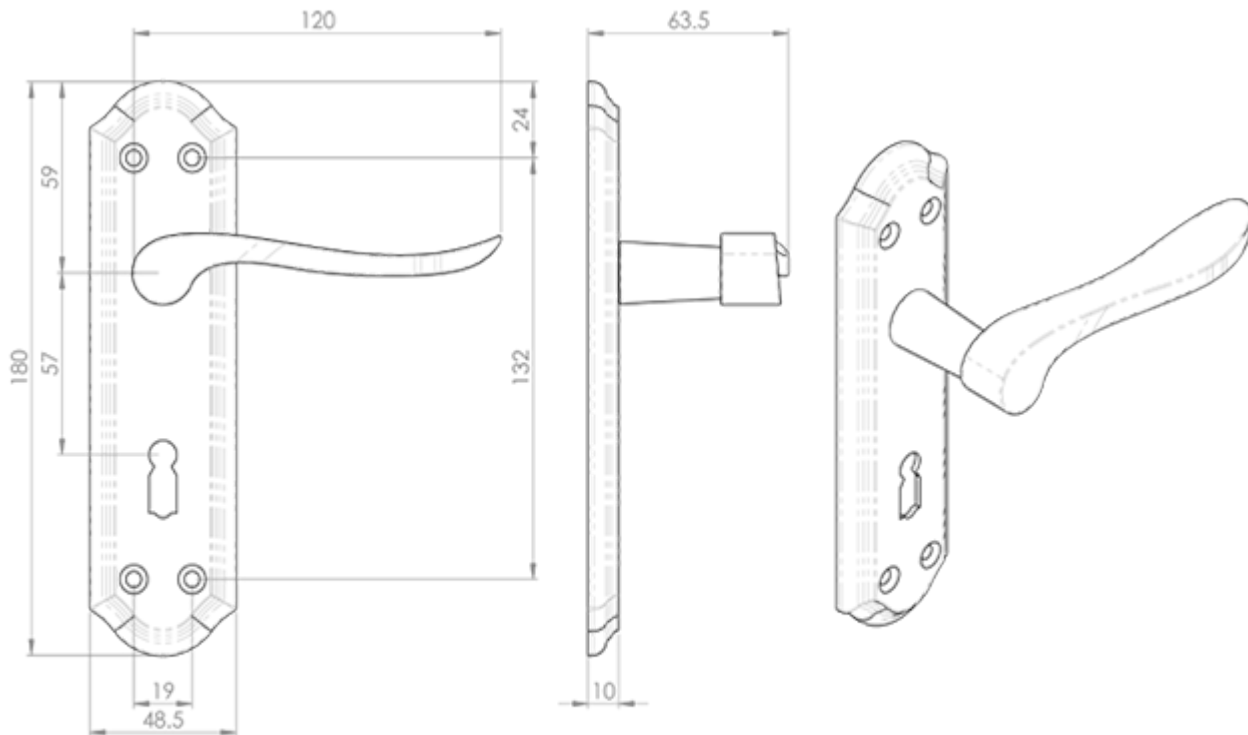


Description

Lever on lock backplate. Standard profile 57mm c/c. A gently undulating curved handle on a sculpted edge shaped backplate. The lever is slightly longer than normal allowing easy and comfortable operation. The shaped backplate has a unique, stepped design which nicely compliments the lever style.

Comes with a 10 year mechanical guarantee and is Fire door rated.

Technical Details



DL450

This drawing is the property of Carlisle Brass Limited, all design rights reserved

Specification



Additional Information

SKU	DL450FB Range
Brands	Carlisle Brass
Finishes	Florentine Bronze
Technical	4,25,49
Line Drawings	DL450.PDF

Product Options

Options:

Blister Pack

Boxed

