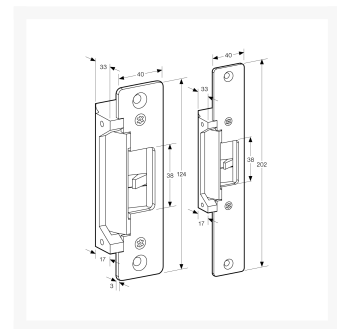
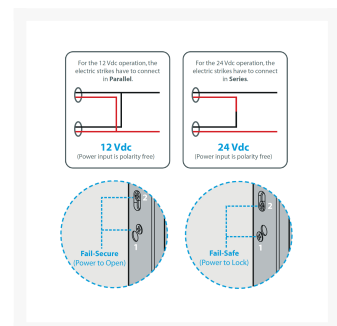
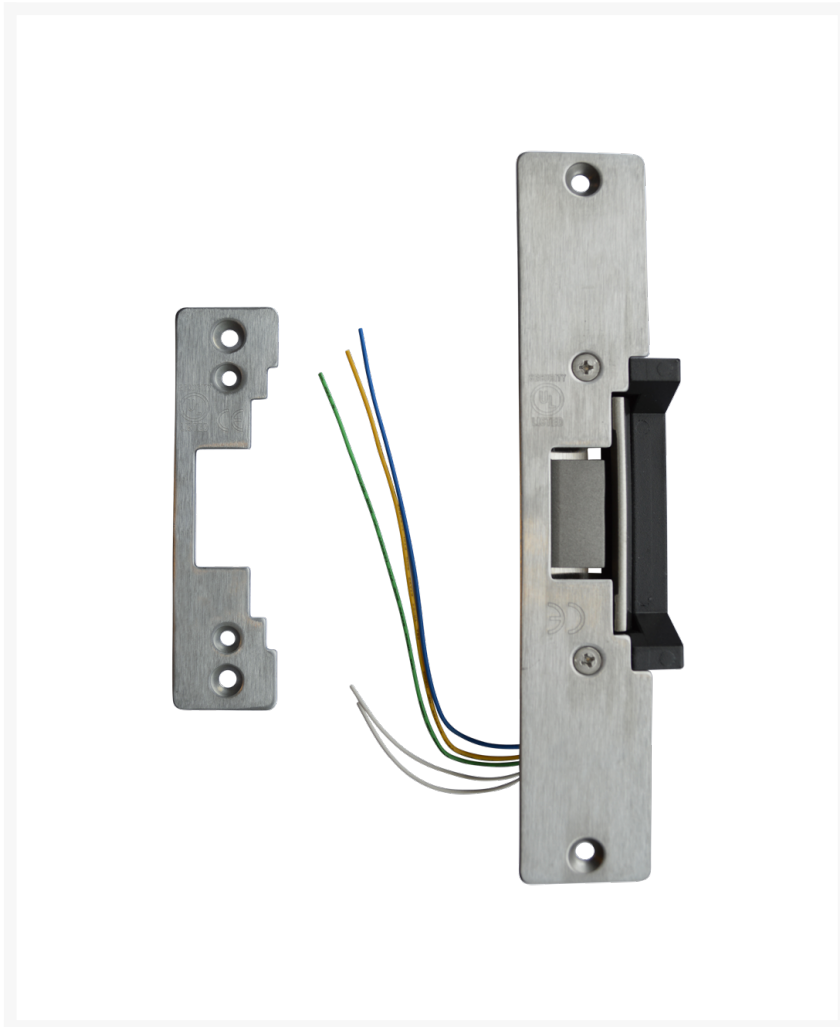




# ASEC ANSI Mortice Release



## Description

This ANSI style mortice release is supplied with both long (suitable for timber installation) and short (suitable for metal installation) stainless steel faceplates. It is easily switched between fail locked and fail unlocked and is available in both monitored and non-monitored versions and has a holding force of 2,000 lb (907Kg).



Electronically Monitored

## Features

---

- Tested to 1,000,000 cycles
- ANSI Style Mortice Release
- Supplied with both long and short faceplates
- Simple to switch between fail locked and fail unlocked (with no loose pins)
- 2,000lb (907Kg) Holding Force

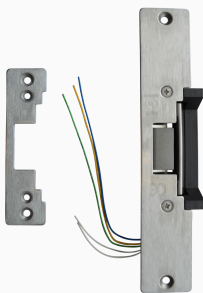
## Product Table

---



### AS9824

12/24VDC F/L & F/U



### AS9878

12VDC F/L & F/U MON



### AS10638

12VDC FL/FU