

1

2

3

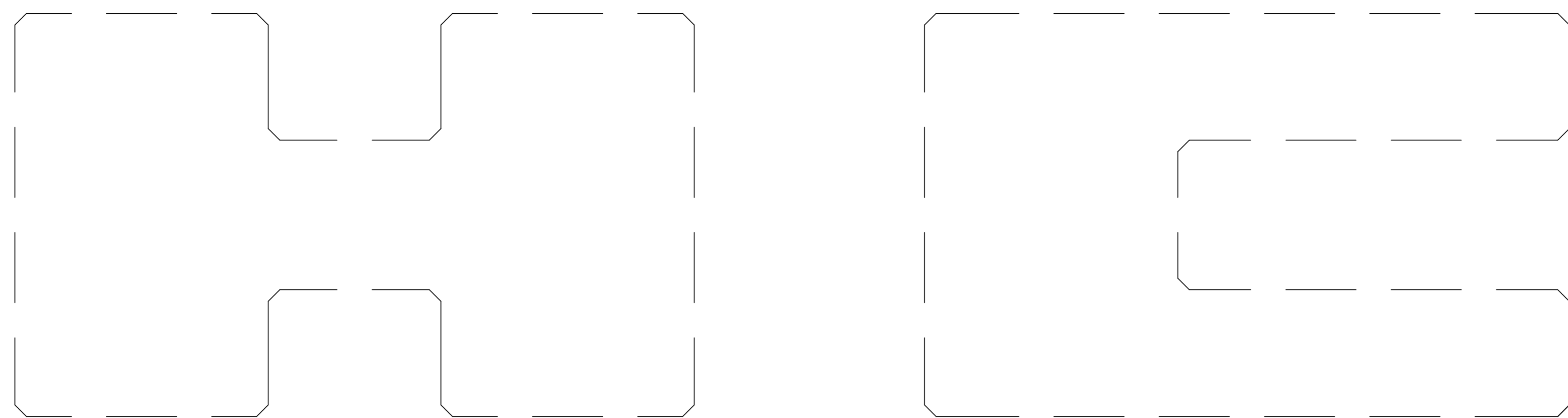
4

MOTIF LETTERS

DRG No

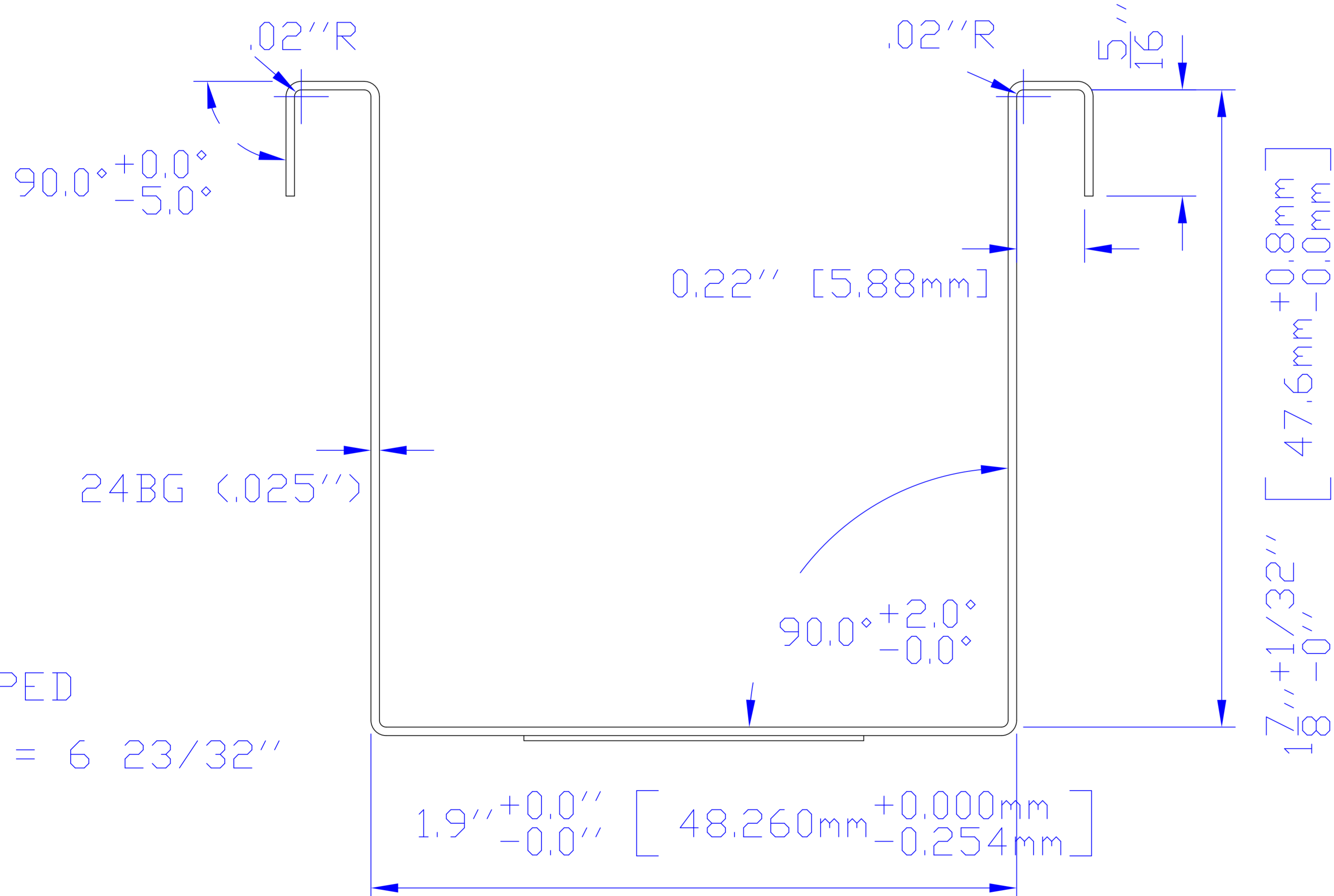
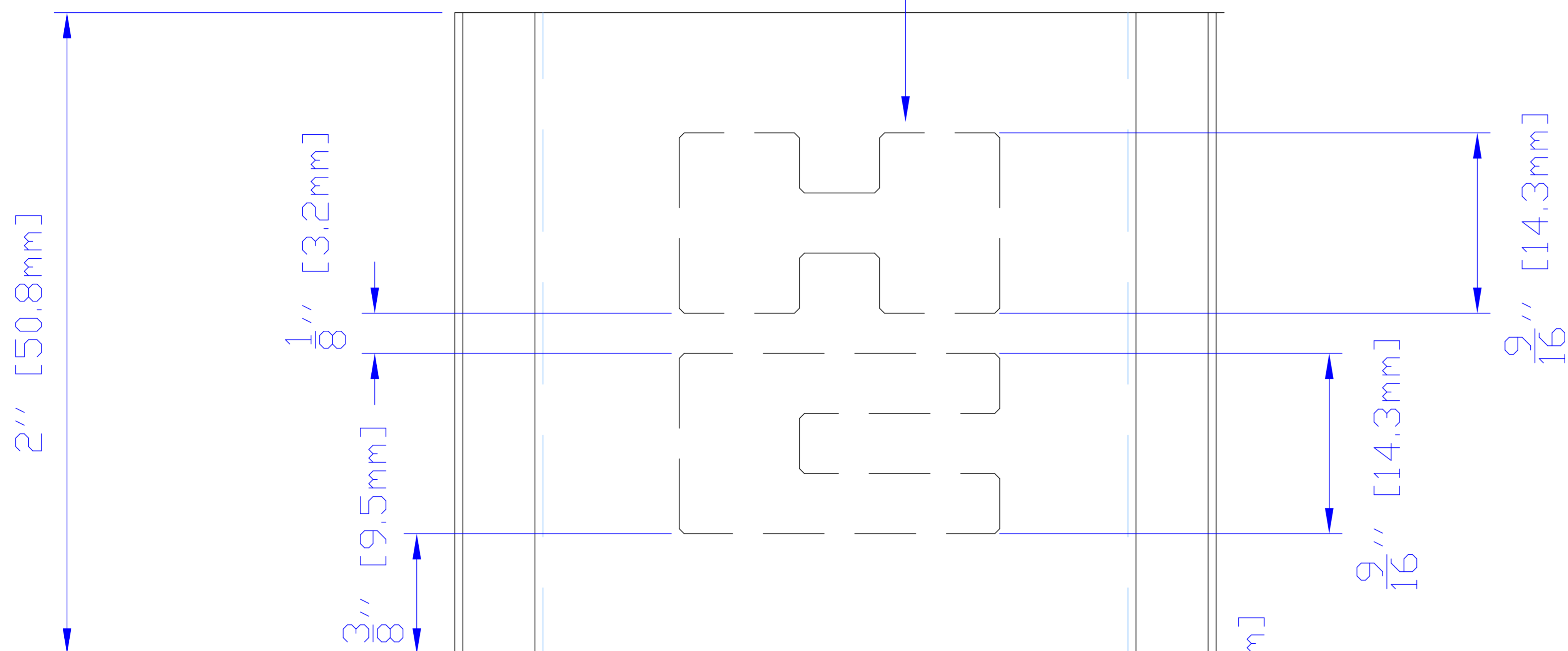
03051.01/425

DO NOT SCALE



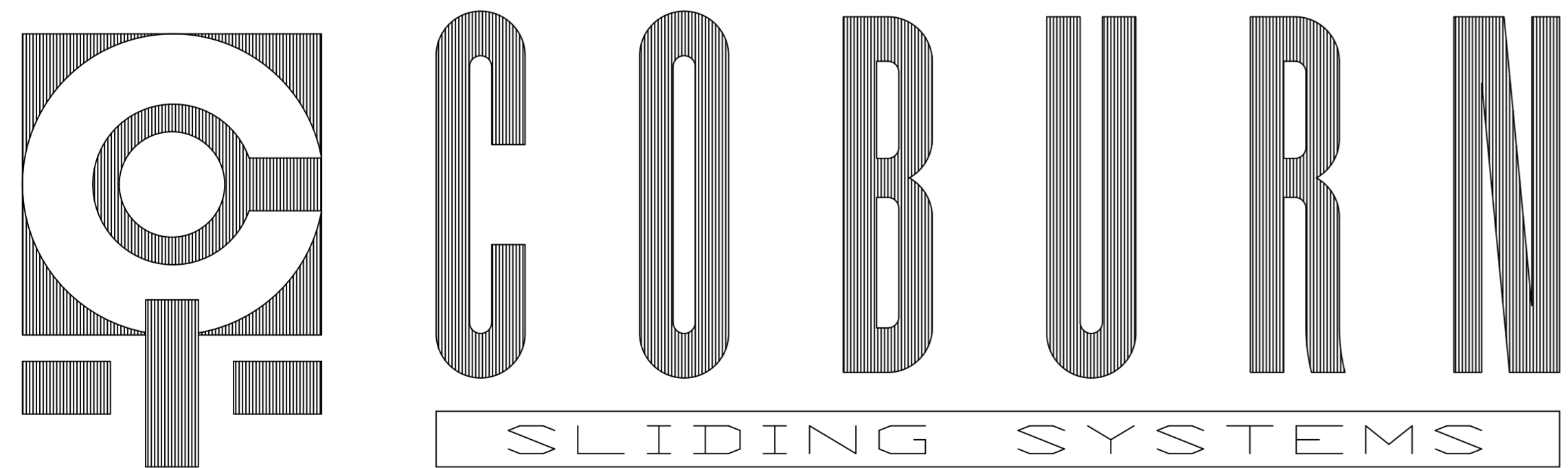
	NAME	DATE
DRN	R.A.S.	12/08/71
CHKD		
QA		
ISSUE	MOD No	DATE
1	M3308	06/04/99

MOTIF LETTERS RAISED .015"



DEVELOPED LENGTH = 6 23/32"

MATL. 24 BG(.025") PRIME GALV. SLIT COIL QUALITY MATT OR SPANGLE. SPEC Z2CN TO B.S.2989. FLATTENED (B/3082.05/486)



HILLALDAM COBURN LTD
 UNIT 6, WYVERN ESTATE, BEVERLEY WAY,
 NEW MALDEN, SURREY, KT3 4PH, ENGLAND.
 TEL:- 020 8336 1515
 FAX:- 020 8336 1414

CAD FILE No.
 COBURN\03051.01.DWG

FINISH
 SELF COLOUR

TOLERANCES
 0 DEC PL ±0.5mm
 1 DEC PL ±0.2mm
 2 DEC PL ±0.1mm
 HOLES +0.12mm
 ANGLES ±0.5°
 (UNLESS STATED)

SCALE
 1:1
 DIMENSIONS IN "

MATERIAL
 SEENOTE(15106.001)

COPYRIGHT HILLALDAM COBURN Ltd
 ALL RIGHTS RESERVED
 NO UNAUTHORISED COPYING

TITLE
 CLOSINGPLATE'3'TRACKSOFFITBRKT.

DRG No
 03051.01/425