



Sash Window Axle Pulley Galvanised Forend

Product Images

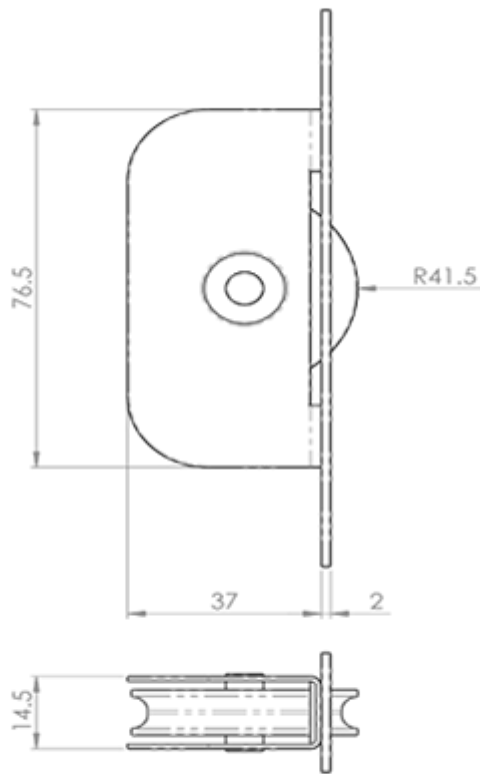
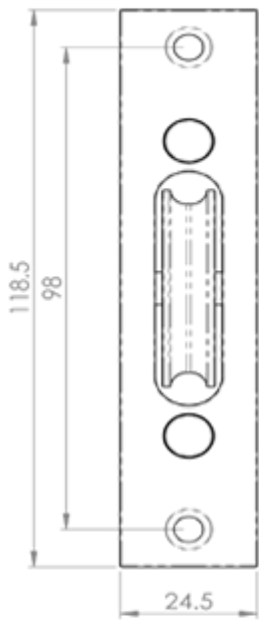


Description

Sash window axle pulley with galvanised square forend and a nylon wheel. A range of sturdy axle pulleys for sliding sash windows. Sash window axle

pulleys are used in traditional rise and fall sash windows to carry the cord attached to the window counter balance sash weight. Typically you will find four in any sash window, two for the top sash and two for the bottom sash. Comes with a 10 year mechanical guarantee.

Technical Details



© CARLISLE BRASS

AQ91

This drawing is the property of Carlisle Brass Limited, all design rights reserved

Specification



Additional Information

Short Description	Sash Window Axle Pulley No.1
SKU	AQ91
Brands	Carlisle Brass
Finishes	Galvanised
Options	Galv Forend, Nylon Wheel
Sizes	119mm x 25mm Forend, 76mm x 16mm Body, 42mm Pulley (Outer Dia.), 10mm Wheel Thickness
Technical	4
Line Drawings	AQ91.PDF
Unit of Sale	Each

