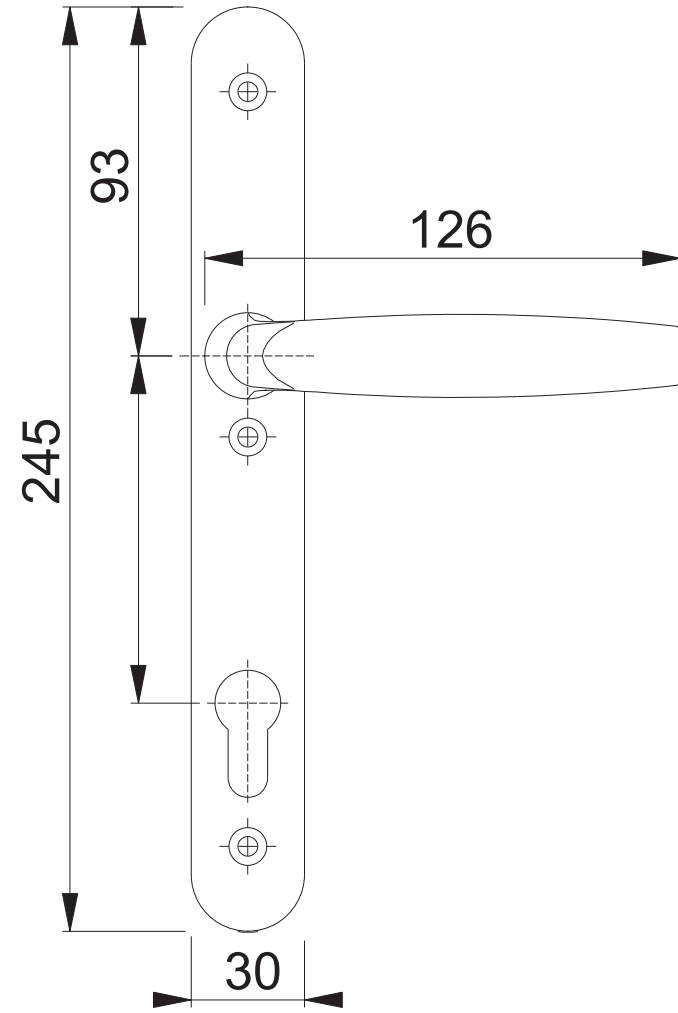
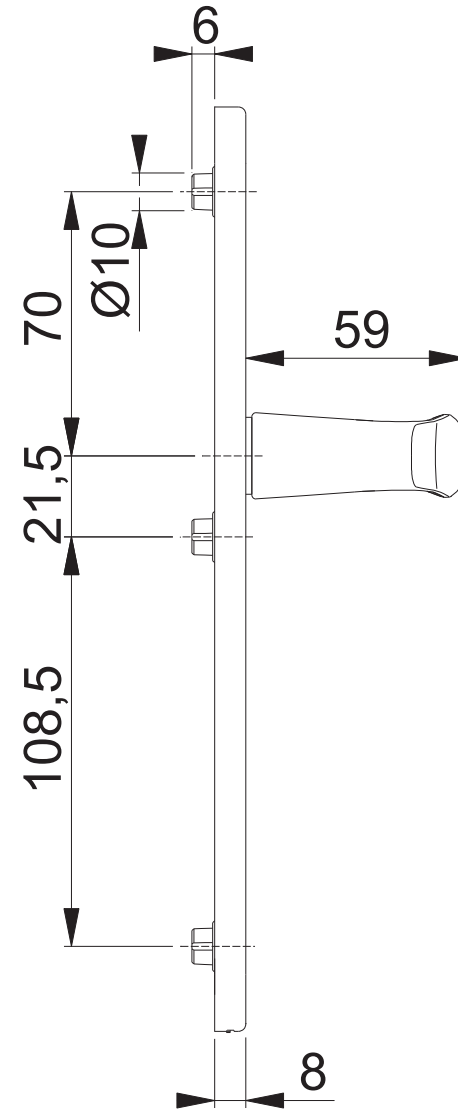
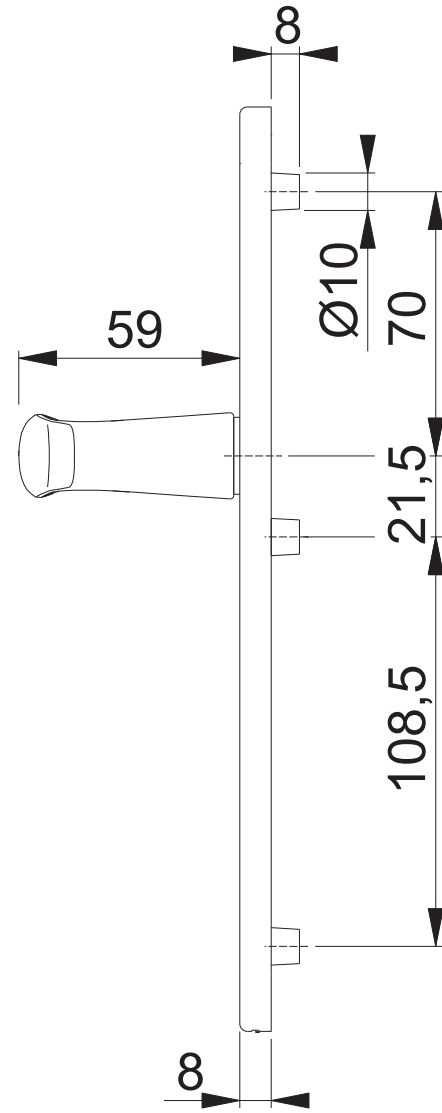
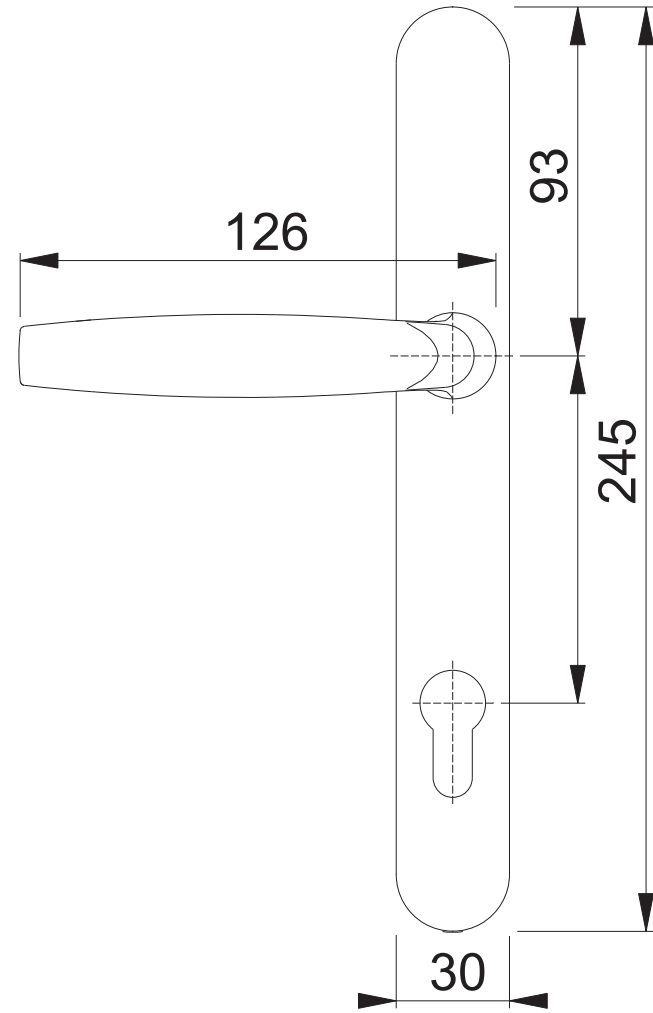


1530/3346/3346/1530



Maßstab 1:2	Name Hauser G.	Datum 19.09.2005	Zchngs.Nr.: c0022288z001 G3 00	HOPPE [®]
----------------	-------------------	---------------------	-----------------------------------	--------------------