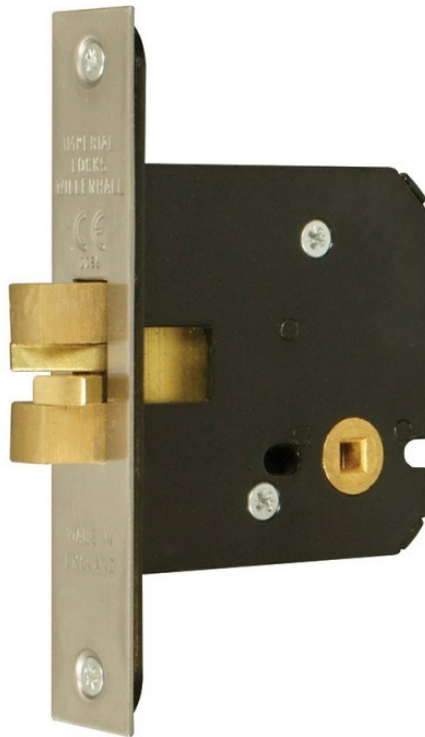


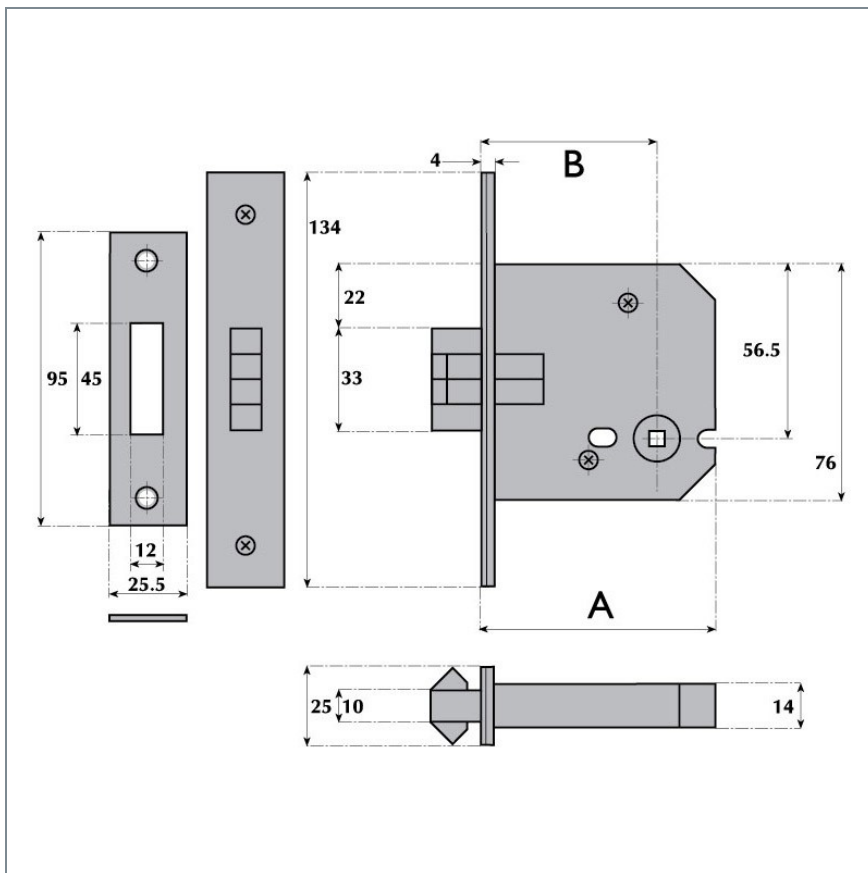


G8028 Bathroom Mortise Sliding Door Lock



Description	Bathroom mortise sliding door lock for use on wooden sliding doors. CE Marked door lock Fire rated to BS EN 1634-1:2000 & Performance rated to BS EN 12209. Bolt operated by turn from either side. Supplied with striker plate and fixing screws. Finishes stainless steel (SS) or satin brass (SB). Other finishes available.
Operation	Bolt operated by turn from either side
Case	Pierced to accept 38mm centre horizontally opposed bolt through fixing furniture
Striker Plate	Type C

Deadbolt	Brass, expanded claw. Throw 14mm
Follower	Brass, to suit 5mm square spindle
Rebate Units To Suit	G3054-13mm G3055-19mm G3056-25mm
A Lock Case	76mm, 101mm
B Backset	57mm, 82mm



Guardian Lock & Engineering Co Ltd. Imperial Works, Wednesfield Road, Willenhall, West Midlands, WV13 1AL, United Kingdom.

+44(0)1902 635 964 | sales@imperiallocks.co.uk