

ITEM NO.	PART NUMBER	DESCRIPTION	QTY.
1	23261.01	Twin-double Hanger assembly - Rev.01	2



COBURN SLIDING SYSTEMS LIMITED  
Unit 1, Cardinal way, Cardinal west,  
Godmanchester, PE29 2XN, UK  
TEL: +44 (0)20 8545 6680  
FAX: +44 (0)20 8545 6720  
E-Mail: sales@coburn.co.uk  
Web: www.coburn.co.uk

© COPYRIGHT COBURN SLIDING SYSTEMS LIMITED

THE INFORMATION CONTAINED IN THIS DRAWING IS THE SOLE PROPERTY OF <COBURN SLIDING SYSTEMS LIMITED>. ANY REPRODUCTION IN PART OR AS A WHOLE WITHOUT THE WRITTEN PERMISSION OF <COBURN SLIDING SYSTEMS LIMITED> IS PROHIBITED.

MATERIAL

UNLESS OTHERWISE SPECIFIED:

**DIMENSION(mm) TOLERANCE**  
ZERO PL DECIMAL ±0.2  
ONE PL DECIMAL ±0.1  
TWO PL DECIMAL ±0.05

ANGULAR TOLERANCE ±0.5°

FORGING TOLERANCE SEE BS 4114

ALL EDGES WILL BE ROUNDED WITH 0.2mm

COMMENTS:

IF IN DOUBT ASK!

DRAWN

Adrian Bogdan

CHECKED

DIMENSIONS ARE IN mm  
DO NOT SCALE DRAWING

DATE

14/12/2016

DATE

-/-

FILE DRG. No.

Final drawing product

TITLE:

Twin - Double 60  
Hanger pack

SIZE

A4

DRG/PART. No.

23261

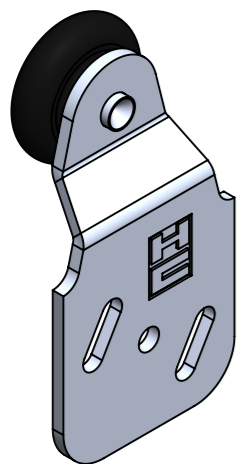
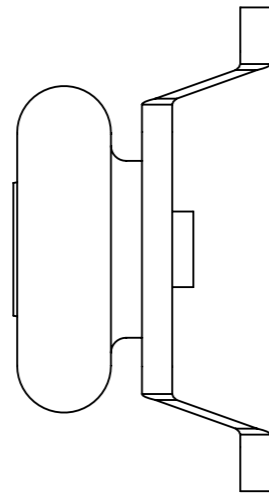
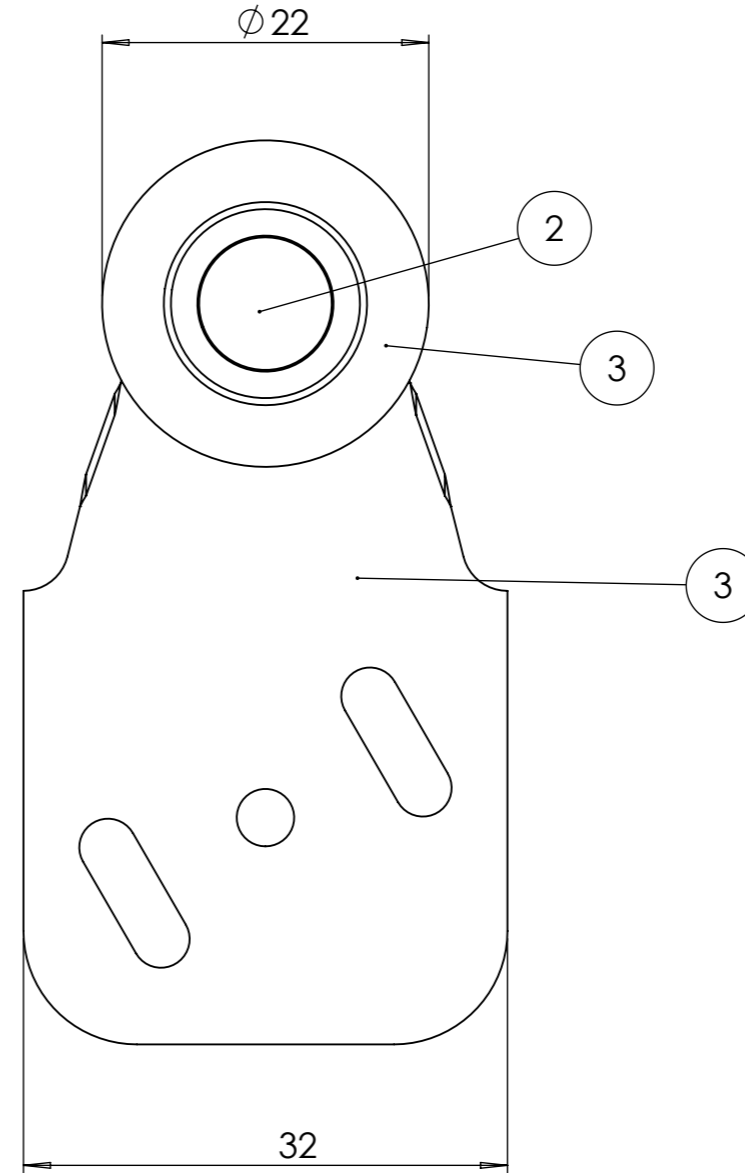
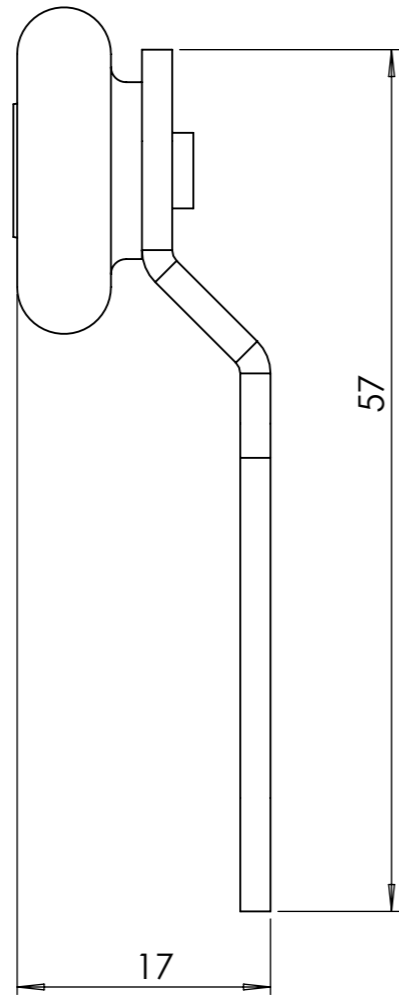
REV

01

SCALE: NTS

WEIGHT:

SHEET: 1/2



ITEM NO.	PART NUMBER	DESCRIPTION	QTY.
1	07455.02	Apron - Rev.07	1
2	07453.01	Axle - Rev.05	1
3	07452.01	Wheel - Rev.04	1



COBURN SLIDING SYSTEMS LIMITED  
Unit 1, Cardinal way, Cardinal west,  
Godmanchester, PE29 2XN, UK  
TEL: +44 (0)20 8545 6680  
FAX: +44 (0)20 8545 6720  
E-Mail: sales@coburn.co.uk  
Web: www.coburn.co.uk

© COPYRIGHT COBURN SLIDING SYSTEMS LIMITED

THE INFORMATION CONTAINED IN THIS DRAWING IS THE SOLE PROPERTY OF <COBURN SLIDING SYSTEMS LIMITED>. ANY REPRODUCTION IN PART OR AS A WHOLE WITHOUT THE WRITTEN PERMISSION OF <COBURN SLIDING SYSTEMS LIMITED> IS PROHIBITED.

MATERIAL

FINISH

UNLESS OTHERWISE SPECIFIED:

**DIMENSION(mm) TOLERANCE**  
ZERO PL DECIMAL  $\pm 0.2$   
ONE PL DECIMAL  $\pm 0.1$   
TWO PL DECIMAL  $\pm 0.05$

ANGULAR TOLERANCE  $\pm 0.5^\circ$

FORGING TOLERANCE SEE BS 4114

ALL EDGES WILL BE ROUNDED WITH 0.2mm

COMMENTS:

IF IN DOUBT ASK!

DRAWN  
Adrian Bogdan

CHECKED



DATE  
14/12/2016

DATE  
-/-

DIMENSIONS ARE IN mm  
DO NOT SCALE DRAWING

FILE DRG. No.

Final drawing product

TITLE:

**Twin - Double 60  
Hanger assembly**

SIZE  
A4

DRG/PART. No.

23261.01

REV  
01

SCALE: NTS

WEIGHT:

SHEET: 2/2