

ZHSSFH-243 Series

Grade 11 Flush / Interleaf Hinge



ZHSSFH-243S



ZHSSFH-243S



ZHSSFH-243S-P



ZHSSFH-243S-PVD



ZHSSFH-243S-MB



ZHSSFH-243S-PVDSB



ZHSSFH-243S-PVDBZ



ZHSSFH-243S-ETB



ZHSSFH-243S-PCW



ZHSSFH-243S-TRG

TECHNICAL SPECIFICATION

PRODUCT FEATURES

- **Dimensions:** 100 x 79 x 3mm
- **Material:** Stainless Steel
- Requires no morticing into door or frame
- No intumescent needed for use on fire rated doors
- **Performance Testing:** Successfully tested in accordance with the requirements of BS EN1935: 2002, Grade 11

3	7	4	1*	1	4	0	11
---	---	---	----	---	---	---	----

FIRE TESTING

- Successfully fire tested in accordance with the requirements of BS EN 1634-1, suitable for use on 30-minute timber fire doors

CERTIFICATION

- UKCA Marked (Certificate AC7989)
- CE Marked (Certificate AC7991)



1121-CPR-UK-AD7989

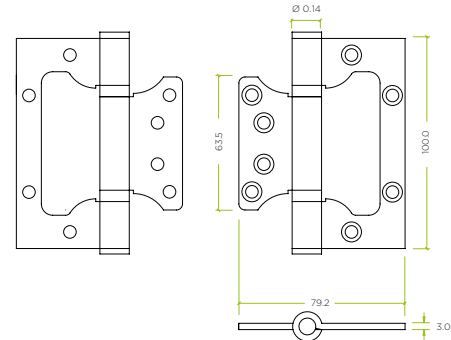


2812-CPR-AD7991

CORNER OPTIONS

- Square

TECHNICAL



CODE	DESCRIPTION	FINISH
ZHSSFH-243S	Flush / Interleaf Hinge Pair - CE/UKCA - Grade 11	Satin Stainless
ZHSSFH-243S-P	Flush / Interleaf Hinge Pair - CE/UKCA - Grade 11	Polished Stainless
ZHSSFH-243S-PVD	Flush / Interleaf Hinge Pair - CE/UKCA - Grade 11	Polished Brass PVD
ZHSSFH-243S-MB	Flush / Interleaf Hinge Pair - CE/UKCA - Grade 11	Matt Black
ZHSSFH-243S-PVDSB	Flush / Interleaf Hinge Pair - CE/UKCA - Grade 11	Brushed Brass PVD
ZHSSFH-243S-PVDBZ	Flush / Interleaf Hinge Pair - CE/UKCA - Grade 11	Brushed Bronze PVD
ZHSSFH-243S-ETB	Flush / Interleaf Hinge Pair - CE/UKCA - Grade 11	Etna Bronze
ZHSSFH-243S-PCW	Flush / Interleaf Hinge Pair - CE/UKCA - Grade 11	Powder Coated White
ZHSSFH-243S-TRG	Flush / Interleaf Hinge Pair - CE/UKCA - Grade 11	Tuscan Rose Gold



For more information please contact us today:

ERA Home Security T/A Zoo Hardware,
Unit B, Dukes Drive, Kingmoor Park North,
Carlisle, Cumbria CA6 4SH

Call: 01228 672900

Fax: 01228 672928

Email: sales@zoo-hardware.co.uk

Web: www.zoohardware.co.uk



ISO 9001
Quality
Management
Systems
CERTIFIED

ISO 14001
Environmental
Management
CERTIFIED

FM 668401

EMS 668402