



Sash Window Axle Pulley

Product Images

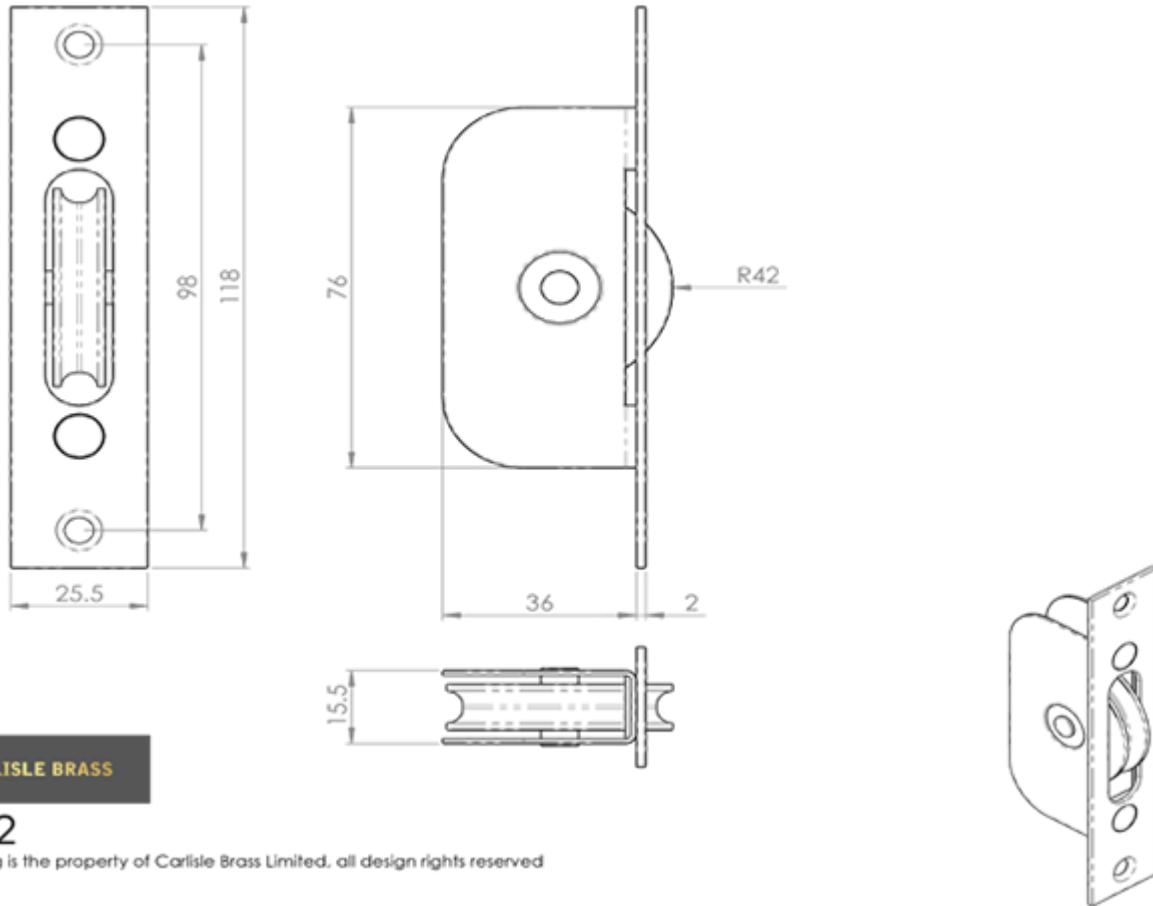


Description

A range of sturdy axle pulleys for sliding sash windows. Sash window axle pulleys are used in traditional rise and fall sash windows to carry the cord

attached to the window counter balance sash weight. Typically you will find four in any sash window, two for the top sash and two for the bottom sash. Comes with a 10 year mechanical guarantee. Product Variations - AQ92 square brass forend with nylon wheel, AQ93 square brass forend with a brass wheel, . AQ96 heavy duty radius brass forend with brass wheel.

Technical Details



Specification



Additional Information

| | |
|-------------------|-------------------------|
| Short Description | Sash Window Axle Pulley |
| SKU | AQ92 Range |
| Brands | Carlisle Brass |
| Technical | 4,49 |
| Line Drawings | AQ92.PDF,AQ96.PDF |
| 3D Animation | AQ92CP/AQ92CP.html |

Product Options

| | |
|-----------|---|
| Finishes: | Polished Chrome |
| | Satin Chrome |
| | Polished Brass |
| Options: | Square Forend, Nylon Wheel |
| Sizes: | 119mm x 25mm Forend, 76mm x 16mm Body, 42mm Pulley (Outer Dia.), 10mm Wheel Thickness |

