

Silver Series

2349 / L2349

Euro Profile Mortise Night Latch



Application:

- For timber doors hinged on the left or right
- Also suitable for steel & composite doors - special fixings required

Specification:

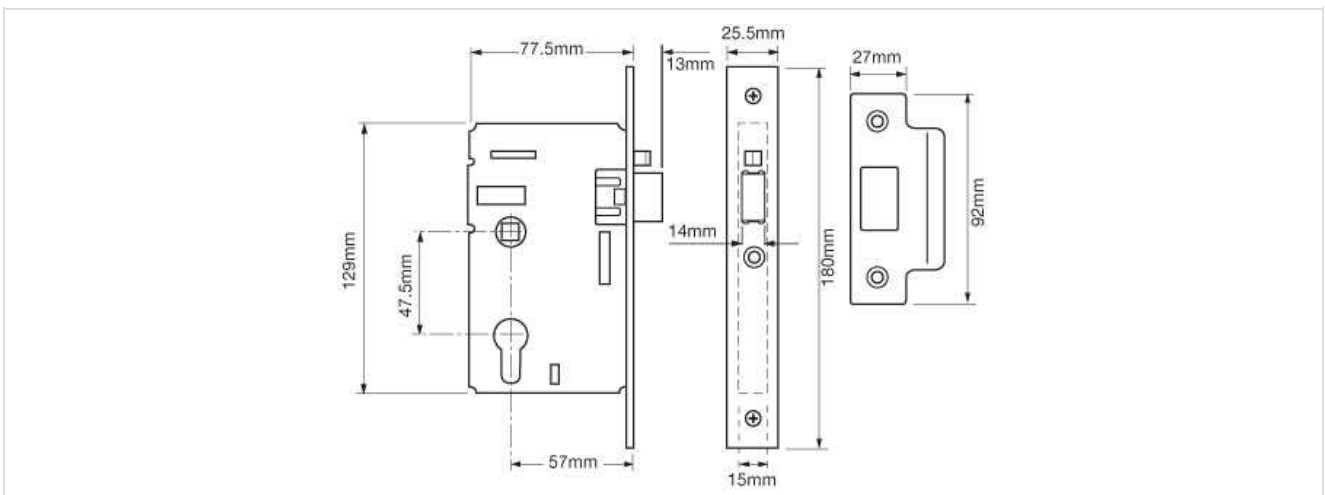
- Latch bolt withdrawn by euro profile cylinder from outside and sprung lever handle or separate turn from inside
- Latch bolt is held in the withdrawn position by use of special key supplied (7126-30)
- Reversible latch bolt
- Cylinder options - single cylinder or key and key
- Latch bolt is automatically locked against end pressure by the anti-thrust bolt
- 2349 supplied with 2X20 cylinder
- Available with square forend and striking plate
- Case Size: 77.5mm (3")
- Backset: 57mm
- Case: Steel, silver powder coat
- Outer Forend: Stainless steel or brass
- Striking Plate: Finished to match forend
- Deadbolt: n/a
- Latch Bolt: Brass, reversible
- Follower: Steel, 8mm square
- Rebate Kit: 2942 (13mm, 19mm or 25mm)
- Cylinder Type: 2349 supplied with 2X20 cylinder, L2349 euro profile (not supplied)
- Available in SC and PL finishes



Finish:

- SC - Satin Chrome finish
- PL - Polished Brass finish

Technical Design:



Silver Series

2349 / L2349

Euro Profile Mortice Night Latch



ASSA ABLOY

Variants:

Code	Description
JL2349-PL-3.00	EU.PROF.CYL MORT. N.LATCH CW ANTITHRUST, PB, 3"CASE, C.ONLY
JL2349-SC-3.00	EU.PROF.CYL MORT. N.LATCH CW ANTITHRUST, SS, 3"CASE, C.ONLY