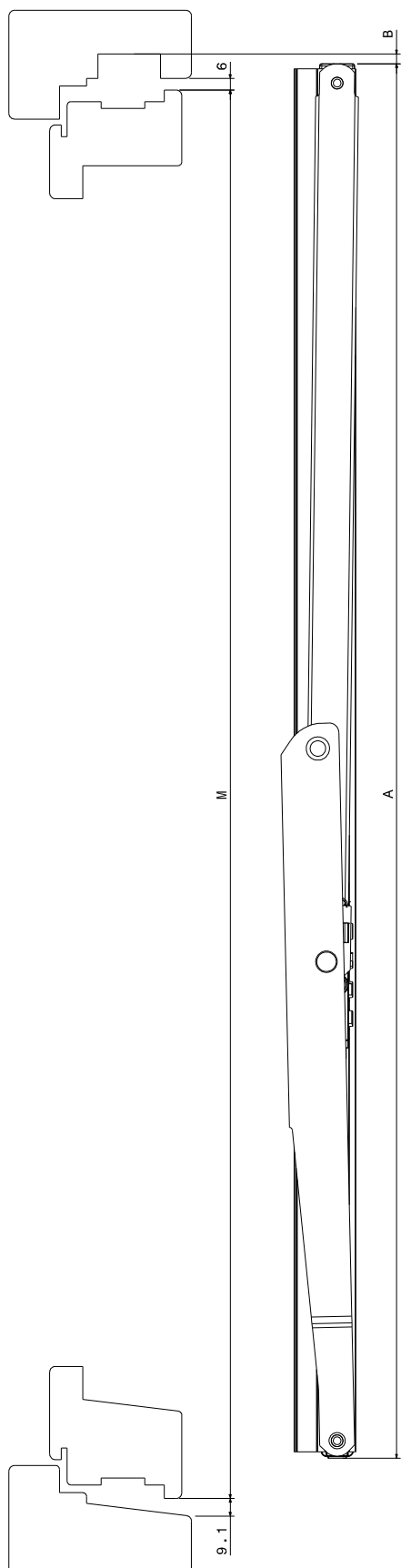


Yale Revolution Window Hinge

Profile B Fully Reversible (Timber)

Issue: May 2017

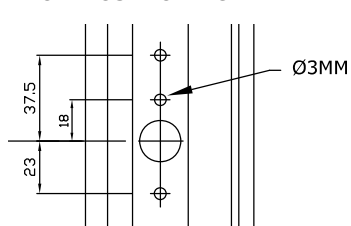


PROFILE B FULLY REVERSIBLE DETAIL

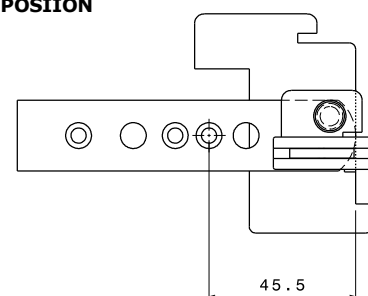
| Module Size | Dimension (mm) | | | | | | |
|-------------|----------------|------|-----|------|-----|------|---|
| | M | | J | C | L | K | B |
| | MIN | MAX | | | | | |
| M4.0 | 304 | 353 | 144 | 44.0 | N/A | 30.0 | 5 |
| M4.5 | 354 | 403 | 169 | | | | |
| M5.0 | 404 | 453 | 194 | | | | |
| M5.5 | 454 | 503 | 219 | | | | |
| M6.0 | 504 | 553 | 244 | | | | |
| M6.5 | 554 | 603 | 269 | | | | |
| M7.0 | 604 | 653 | 294 | | | | |
| M7.5 | 654 | 703 | 319 | | | | |
| M8.0 | 704 | 753 | 340 | | | | |
| M8.5 | 754 | 803 | 365 | | | | |
| M9.0 | 804 | 853 | 390 | | | | |
| M9.5 | 854 | 903 | 415 | | | | |
| M10.0 | 904 | 953 | 440 | | | | |
| M10.5 | 954 | 1003 | 465 | | | | |
| M11.0 | 1004 | 1053 | 488 | | | | |
| M11.5 | 1054 | 1103 | 513 | | | | |
| M12.0 | 1104 | 1153 | 538 | | | | |
| M12.5 | 1154 | 1203 | 563 | | | | |
| M13.0 | 1204 | 1253 | 588 | | | | |
| M13.5 | 1254 | 1303 | 603 | | | | |
| M14.0 | 1304 | 1353 | 628 | | | | |
| M14.5 | 1354 | 1403 | 653 | | | | |
| M15.0 | 1404 | 1453 | 678 | | | | |
| M15.5 | 1454 | 1503 | 703 | | | | |
| M16.0 | 1504 | 1603 | 728 | | | | |
| M17.0 | 1604 | 1703 | 778 | | | | |
| M18.0 | 1704 | 1803 | 828 | | | | |

Note: Dimension 'A' is referred to on page 002.
 Dimensions 'C' and 'B' are referred to on page 004.
 Dimensions 'J' and 'K' are referred to on page 005.
 Dimension 'L' is referred to on page 006.
 For profile cross section detail, please check with profile manufacturer.

SASH CASTING FIXING HOLE POSITIONING



TOP BRACKET FIXING POSITION



Centre of Excellence for Window Products, Yale Door and Window Solutions,

Kingsmead Industrial Estate, Princess Elizabeth Way, Cheltenham, Gloucestershire, GL51 7RE, UK

Tel: +44 (0) 1242 221200 • Fax +44 (0) 1242 520828 • E-mail: info@yaledws.co.uk • Website: www.yaledws.co.uk

Due to our policy of continual improvement we reserve the right to alter specifications without notice. It is the responsibility of the window manufacturer to ensure that the finished window meets the required performance and safety specification.



Yale Revolution Window Hinge

Profile B Fully Reversible (Timber)

Issue: May 2017

REQUIRED NON SECURITY ACCESSORIES

| Part No. | Description | Qty |
|----------|------------------------------|-----|
| S9136 | LH Top Bracket Assembly (8R) | 1 |
| S9137 | RH Top Bracket Assembly (8R) | 1 |
| S9421 | Sash Casting | 2 |

REQUIRED SECURITY ACCESSORIES

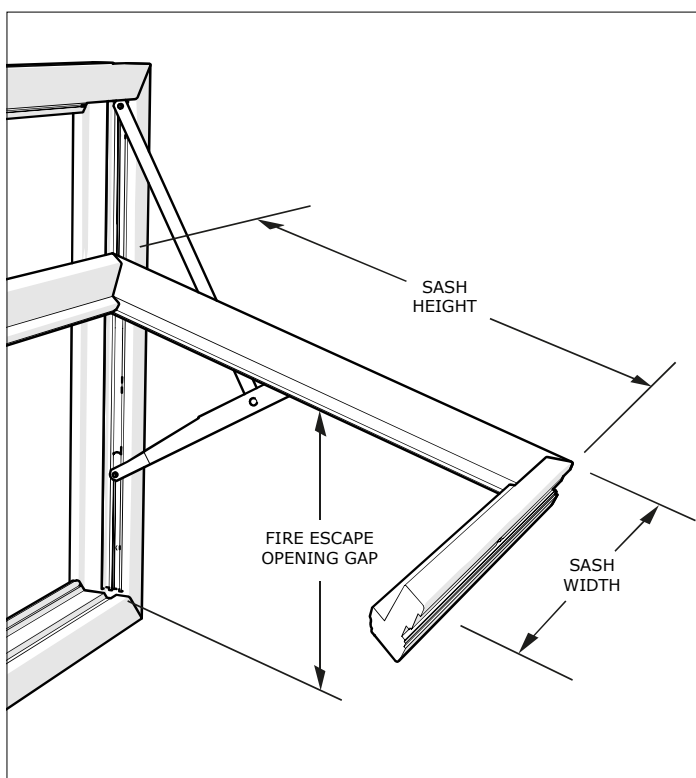
| Part No. | Description | Qty |
|----------|-------------|-----|
| N/A | N/A | N/A |

ACCESSORIES

| Part No. | Description | Qty |
|----------|-----------------------------------|-----|
| R10102 | Track Stop | 2 |
| R9007 | Restrictor Key | 1 |
| S10167 | Replacement Restrictor Insert Set | 1 |

FIRE ESCAPE OPENING SIZES

| Module Size | MIN Sash Height (mm) | MIN Sash Width Required to achieve Fire Escape | | Fire Escape Opening Gap (mm) Relative to Height, Width & Angle shown |
|-------------|----------------------|--|-------------|---|
| | | Width (mm) | Angle (deg) | |
| M8,0 | 720 | 787* | 63 | 450 |
| M8,5 | 754 | 734* | 62 | 469 |
| M9,0 | 804 | 688* | 62 | 502 |
| M9,5 | 854 | 646* | 62 | 535 |
| M10,0 | 904 | 611* | 62 | 568 |
| M10,5 | 954 | 579* | 62 | 601 |
| M11,0 | 1004 | 549* | 62 | 635 |
| M11,5 | 1054 | 524* | 62 | 668 |
| M12,0 | 1104 | 501* | 62 | 701 |
| M12,5 | 1154 | 480 | 62 | 734 |
| M13,0 | 1204 | 480 | 62 | 768 |
| M13,5 | 1254 | 480 | 62 | 803 |
| M14,0 | 1304 | 480 | 62 | 835 |
| M14,5 | 1354 | 480 | 62 | 868 |
| M15,0 | 1404 | 480 | 62 | 902 |
| M15,5 | 1454 | 480 | 62 | 935 |
| M16,0 | 1504 | 480 | 62 | 968 |
| M17,0 | 1604 | 480 | 62 | 1035 |
| M18,0 | 1704 | 480 | 61 | 1100 |



* These are the minimum required sash widths (when the sash height is as stated in the above table) to meet the fire escape regulations. These can be reduced when the sash height is increased, however to still meet the fire escape regulations the opening gap is to be a minimum of 450mm with a total area of 0.33m².