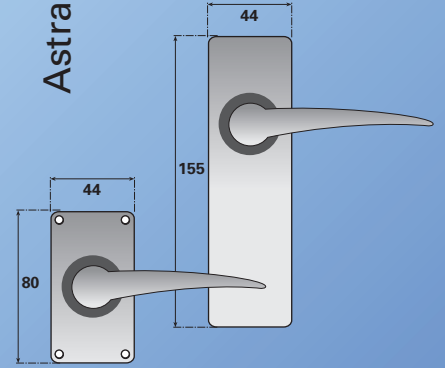
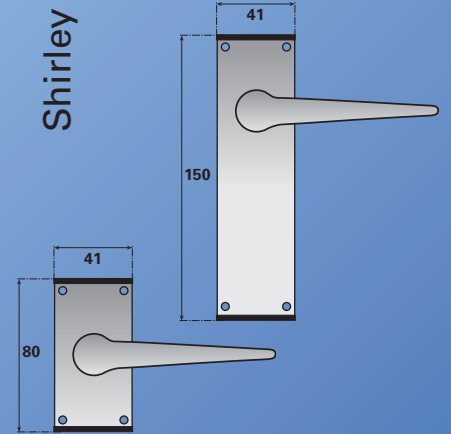




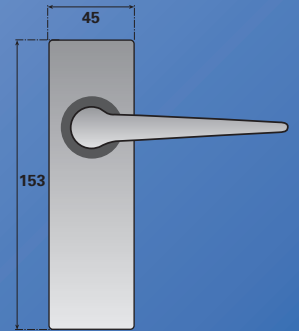
Astral



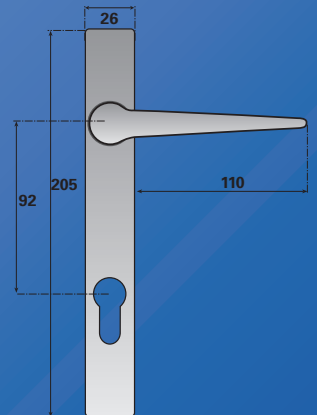
Shirley



Sigma



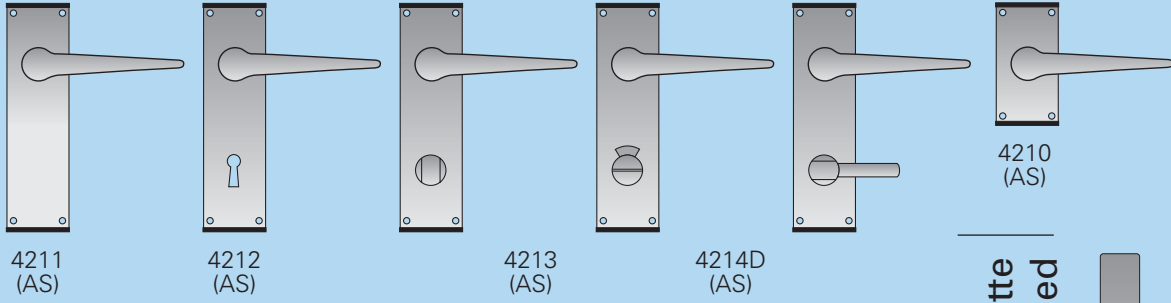
Espagnolette



## Astral, Shirley & Sigma

Refer to page 3 for glossary of finishes

Shirley face fix



4211 (AS)

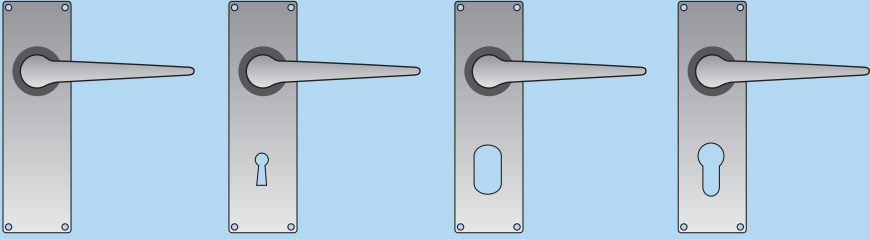
4212 (AS)

4213 (AS)

4214D (AS)

4210 (AS)

Sigma face fix



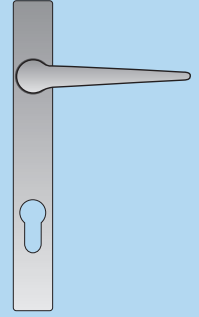
20633 (AS, AG, EPC, PB)

20663 (AS, AG, EPC, PB)

20633L (AS, AG, EPC, PB)

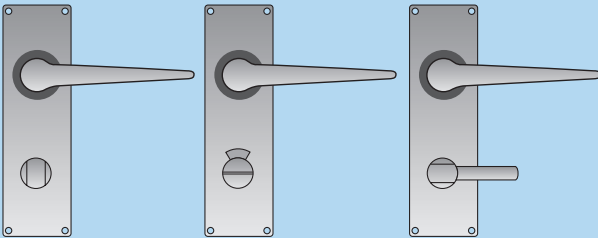
20633E (AS, AG, EPC, PB)

Espagnolette concealed



7092 (AS, AG, EPC, PB)

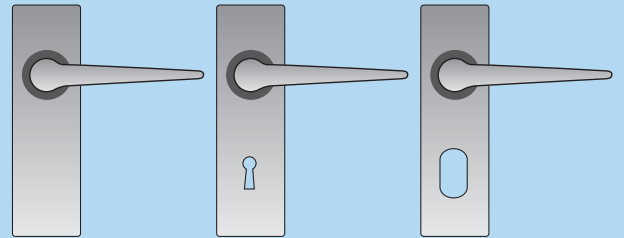
Sigma face Fix



20683 (AS, AG, EPC, PB)

20683D (AS, AG, EPC, PB)

Sigma concealed

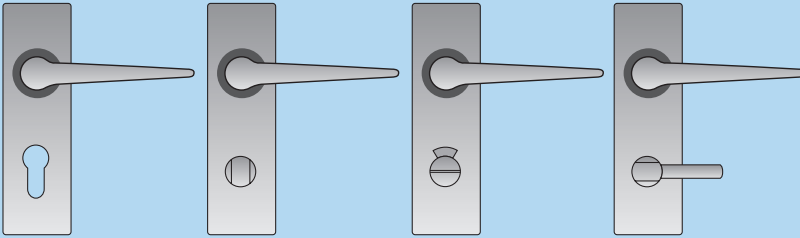


30333 (AS, AG, EPC, PB)

30363 (AS, AG, EPC, PB)

30363L (AS, AG, EPC, PB)

Sigma concealed

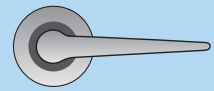


30363E (AS, AG, EPC, PB)

30683 (AS, AG, EPC, PB)

30383D (AS, AG, EPC, PB)

Sigma on rose



30300 (AS, AG, EPC, PB)



10ECK

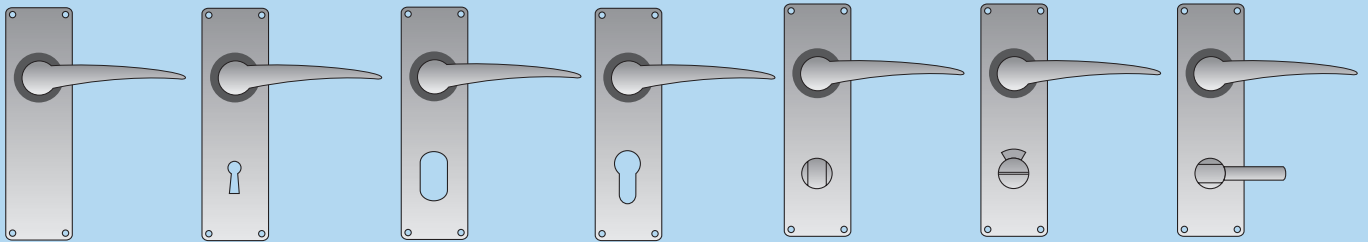


10ECL



10ECE

Astral face fix



10434 (AS)

10433 short latch

10463 (AS)

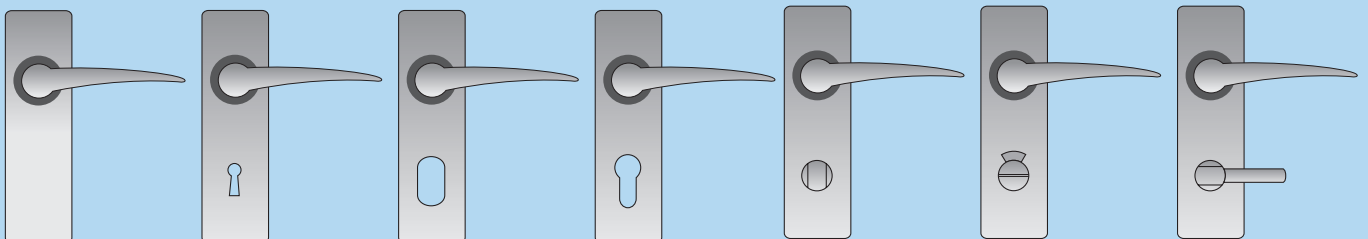
10463L (AS)

10463E (AS)

10483 (AS)

10483D (AS)

Astral concealed



10430 (AS)

10460 (AS)

10460L (AS)

10460E (AS)

10480 (AS)

10480D (AS)