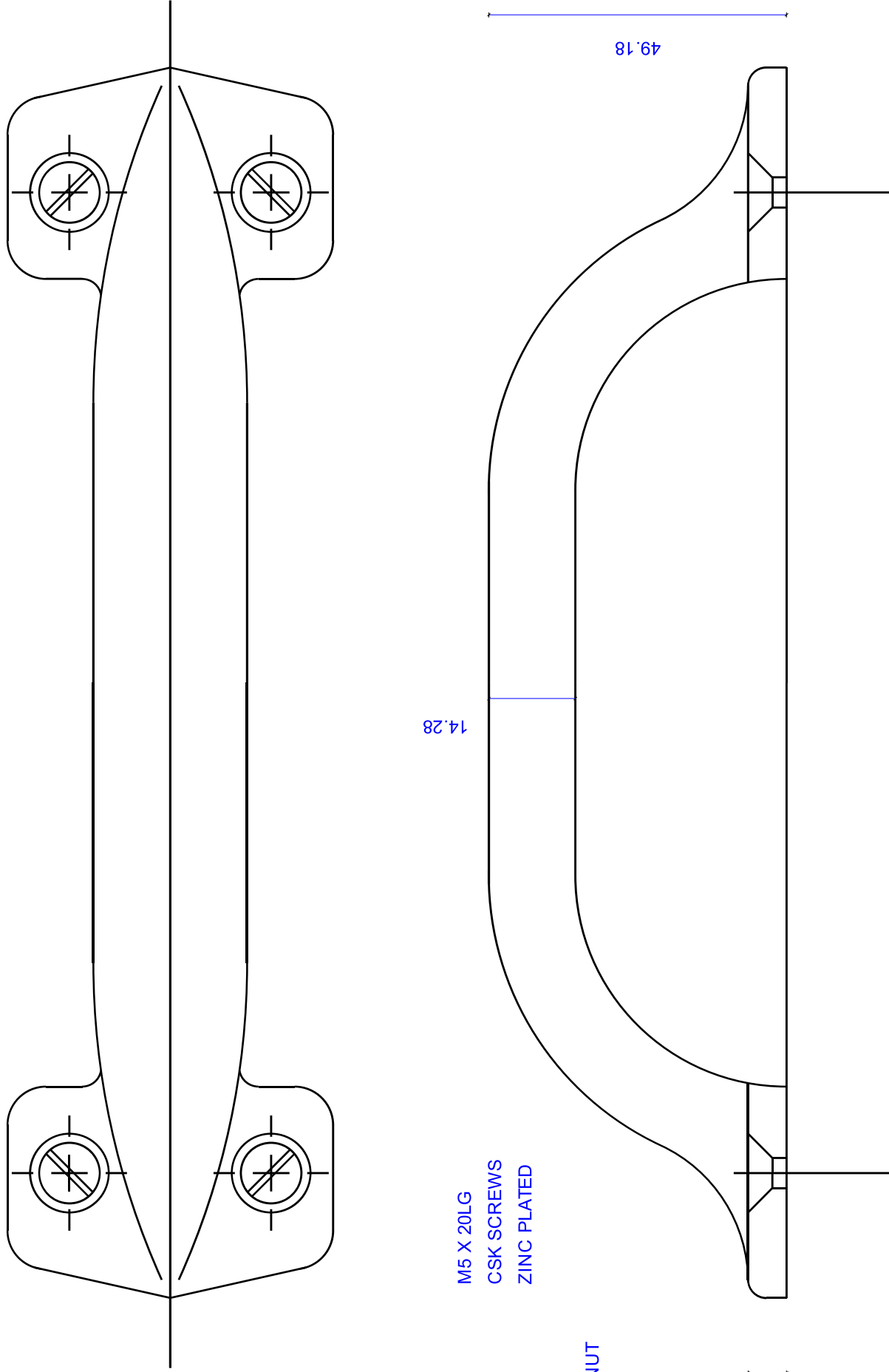


FIRST ANGLE PROJECTION

DO NOT SCALE

IF IN DOUBT - ASK



M5 X 20LG
CSK SCREWS
ZINC PLATED

M5 NUT

SCALE	UNLESS OTHERWISE INDICATED ALL DIMENSIONS ARE IN MILLIMETRES & TOLERANCES TO >		MATERIAL:		FINISH		
	%P	mm	95-607 BOW HANDLE WITH NUTS AND SCREWS			1	416
HILLALDAM COBURN		DRAWN	ISSUE	DATE	APPD	95-607 / 416	
UNIT 27, BARWELL BUSINESS PARK, LEATHERHEAD ROAD, CHESSINGTON, SURREY, KT19 2NY, 081 387 5151		DATE					
		CHECKED					