



Steel Padlocks Stainless Steel

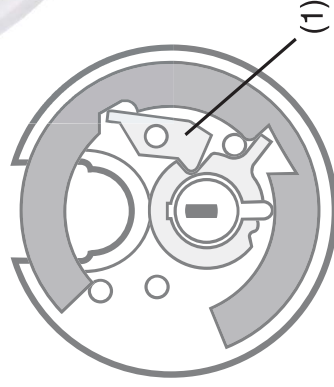


Disc Padlocks Closed Shackle

- Laser welded stainless steel lock body
- Hardened steel chrome plated closed shackle
- Anti-drill plate on cylinder (70mm)
- Deadbolt locking lever (1)
- Brass cylinder
- Anti-pick mushroom pins
- Nickel plated brass keys
- Large number of key combinations
- Standard section keyway
- Key retained in unlocked position



SPL100



* Ref No.	EAN 50 1656 ...	Size	Dimensions (mm)					Deadbolt Locking	Hardened Shackle	Pin Tumblers	KA	MK	Security Rating
		A B C D E F											
SPL080	701060 9	60mm	12	8	17	26.4	✓	✓	4	✓	✓	7½	
SPL100	701076 0	70mm	17.5	9.5	22	28.3	✓	✓	5	✓	✓	8½	

Products supplied clam packed *Add Suffix: B (Boxed) KA (Keyed Alike)